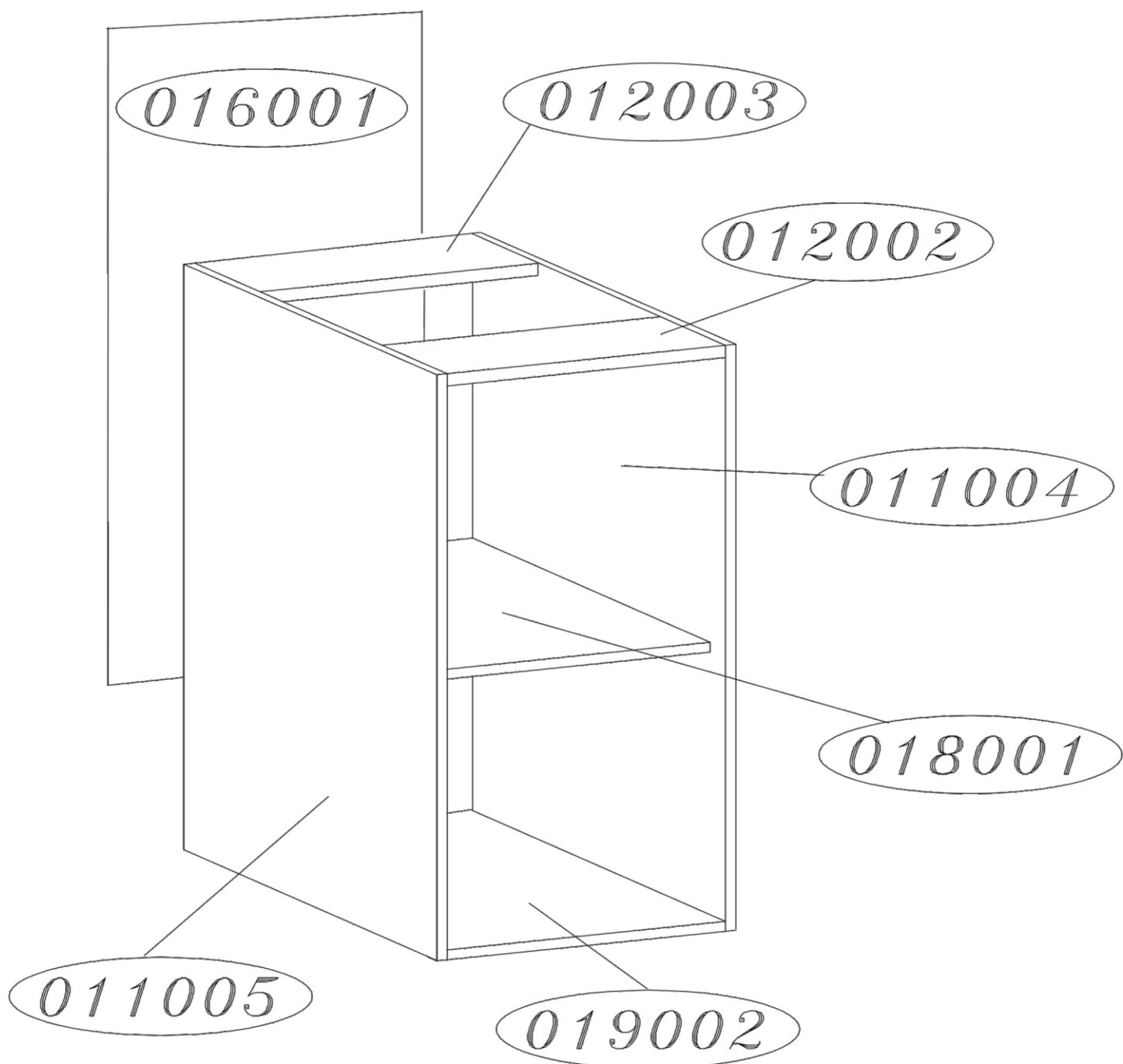
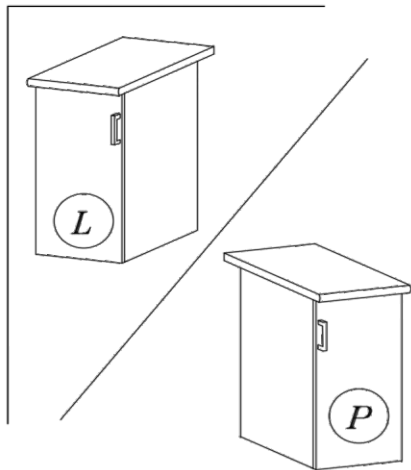
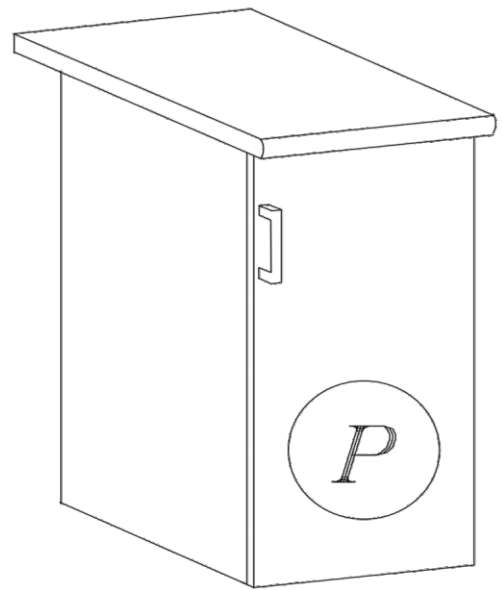
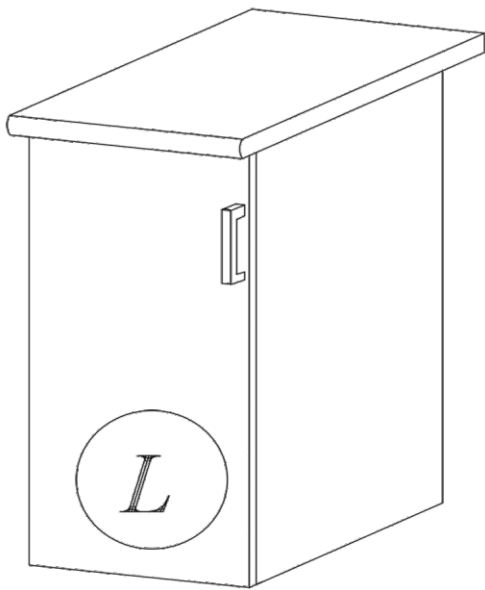
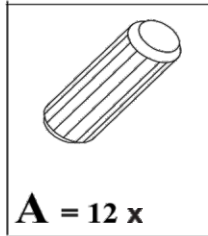


# SICILIA D30

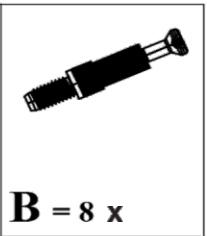




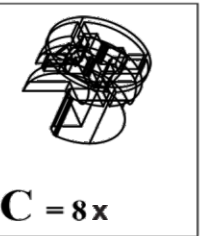
		D30	
SYSTEM		L	P
SAN MARINO	KREMOWY	400401	400400
COSTA	LAKIER BIEL	010401	010400
MALAGA	DAŁB COUNTRY	390401	390400



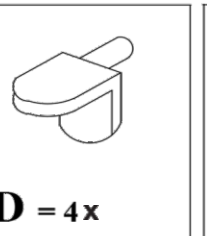
A = 12 x



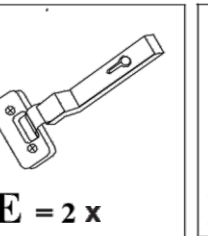
B = 8 x



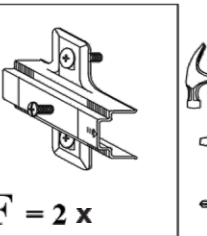
C = 8 x



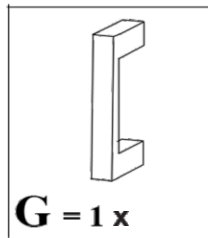
D = 4 x



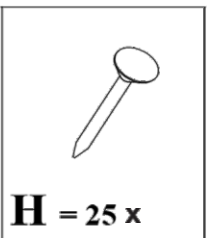
E = 2 x



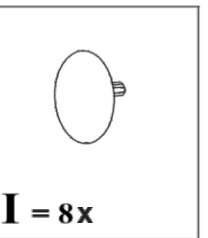
F = 2 x



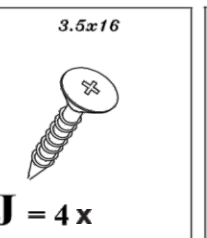
G = 1 x



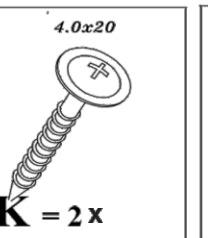
H = 25 x



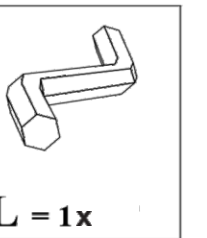
I = 8 x



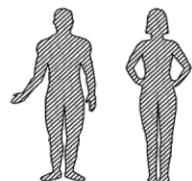
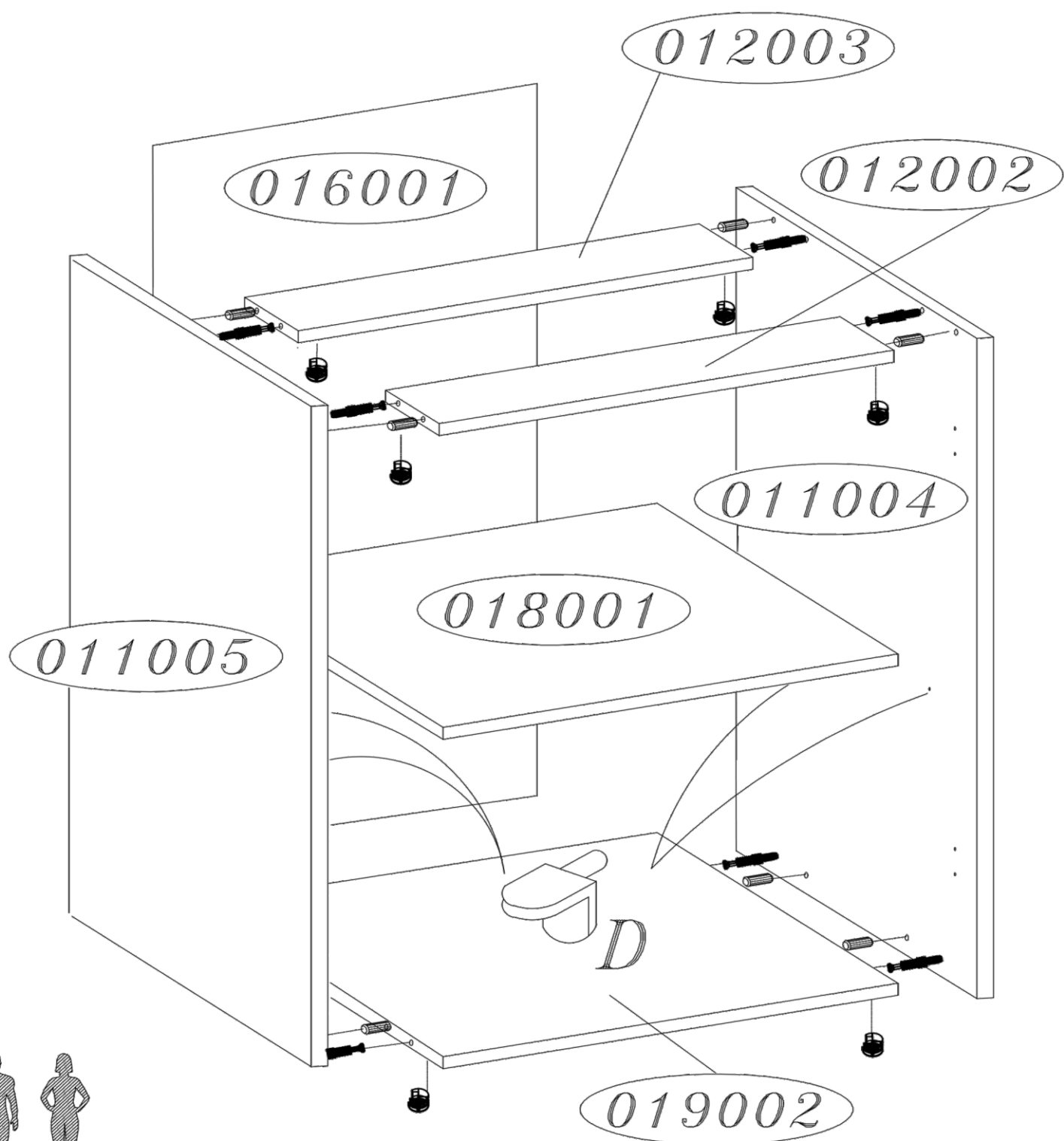
J = 4 x

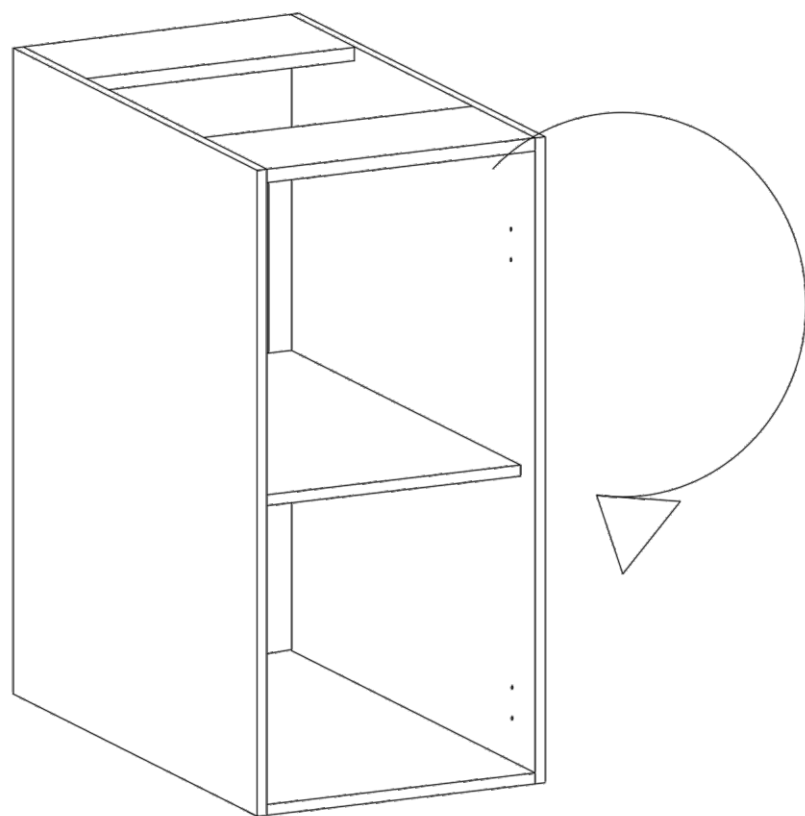


K = 2 x

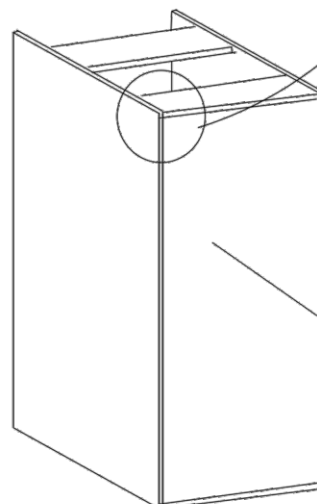


L = 1 x





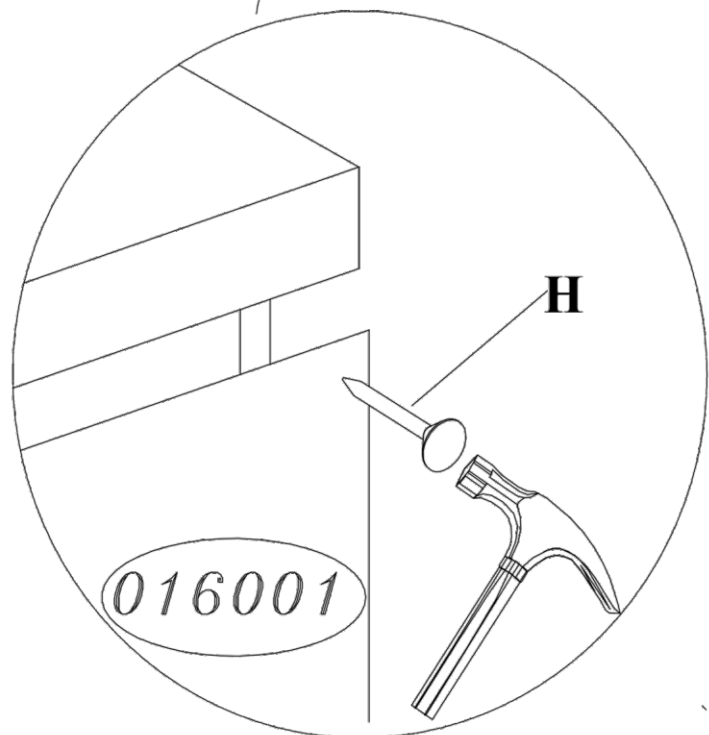
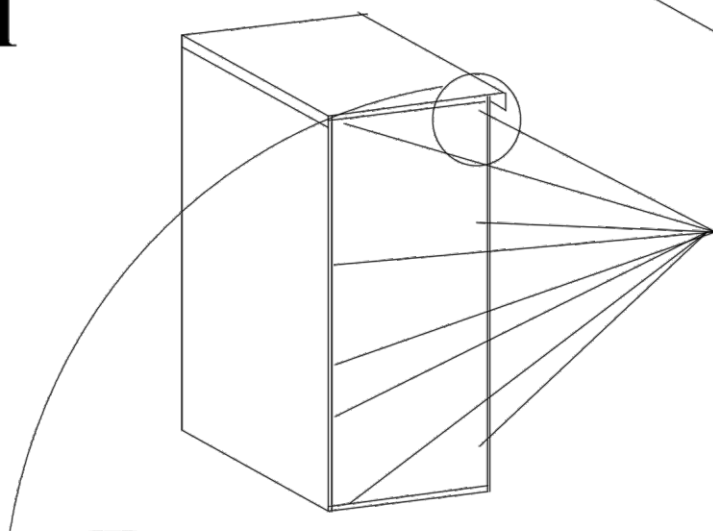
**III**



**I**

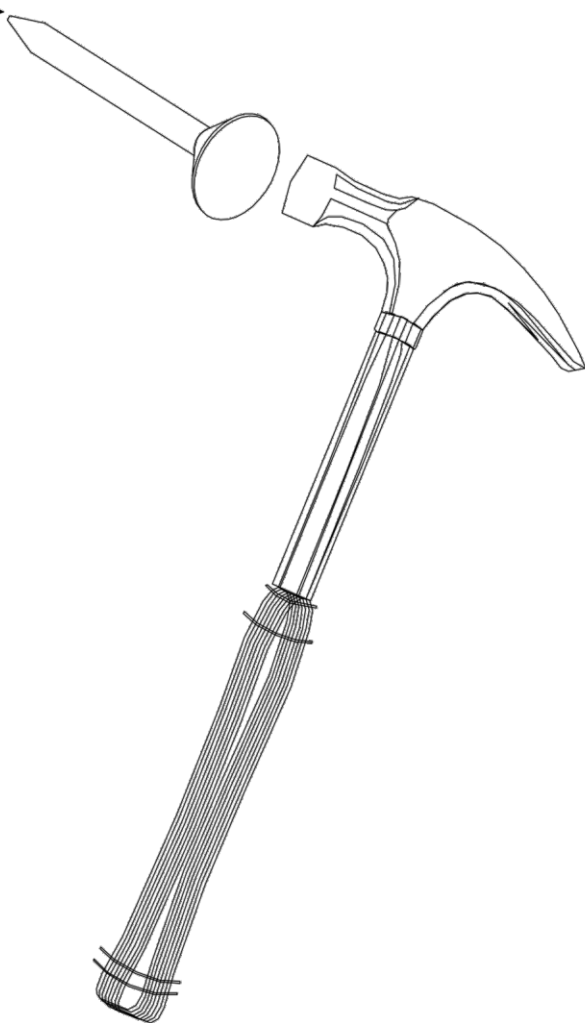
90°

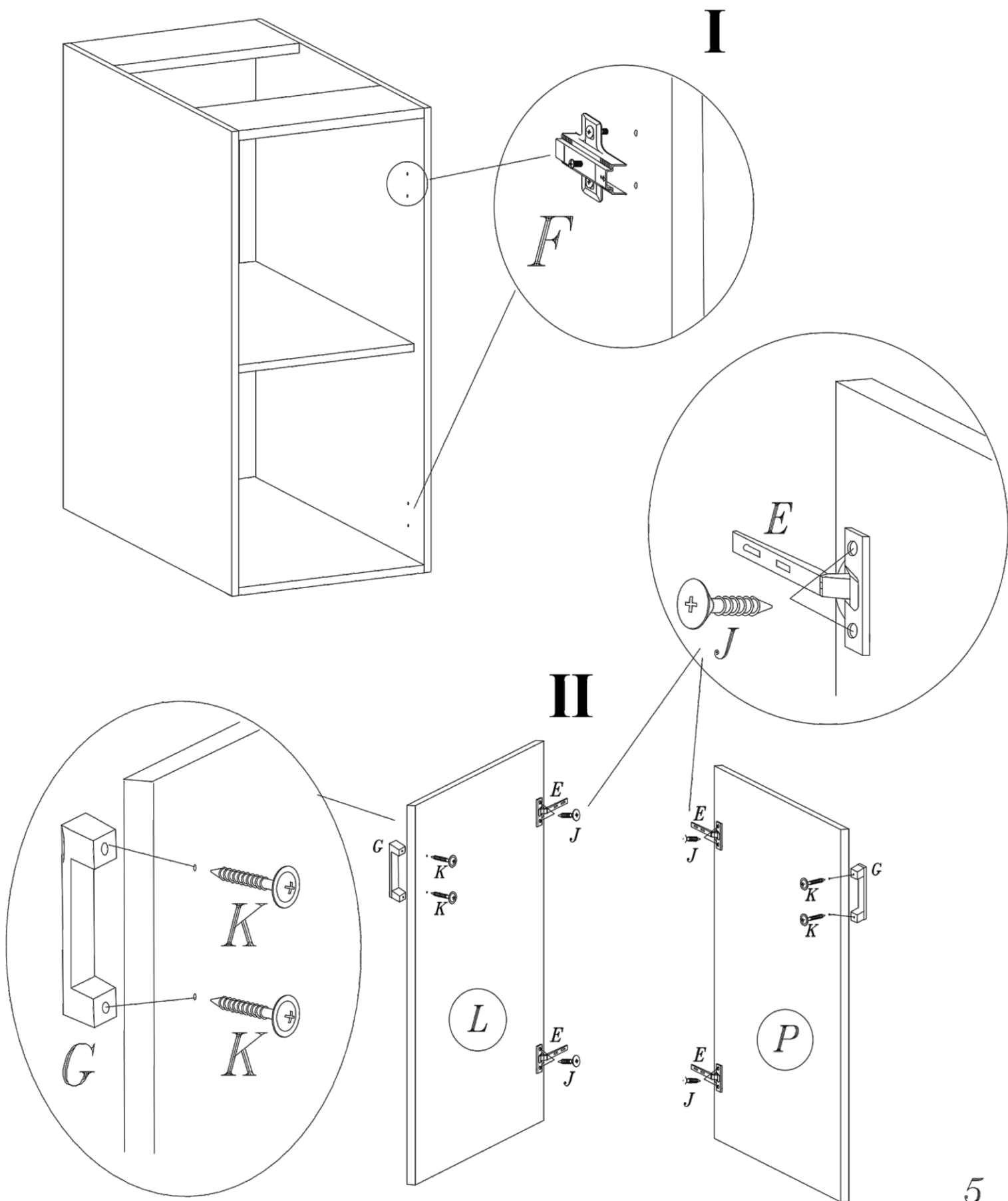
016001

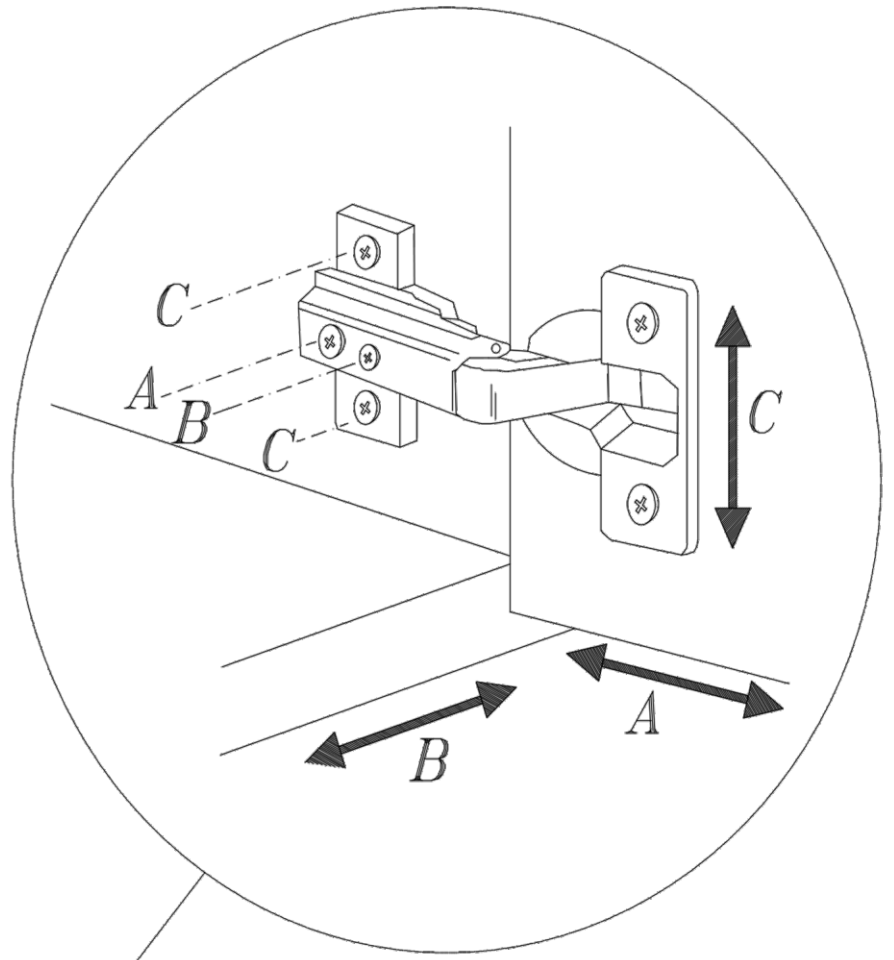
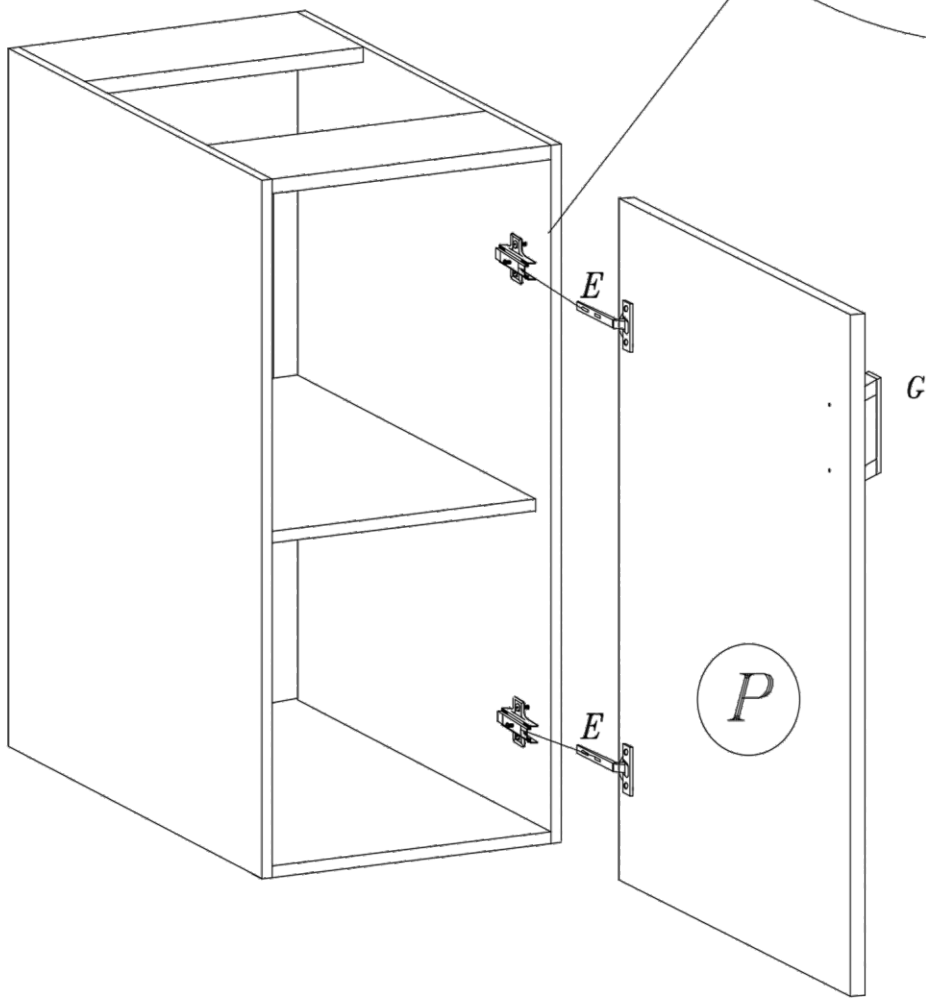


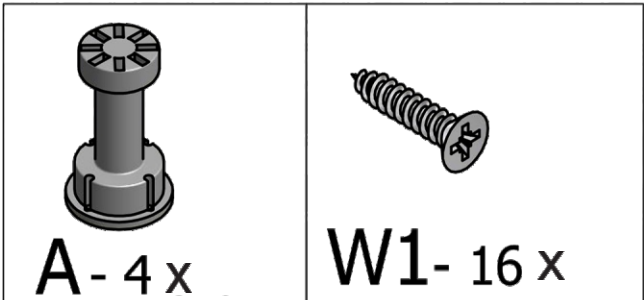
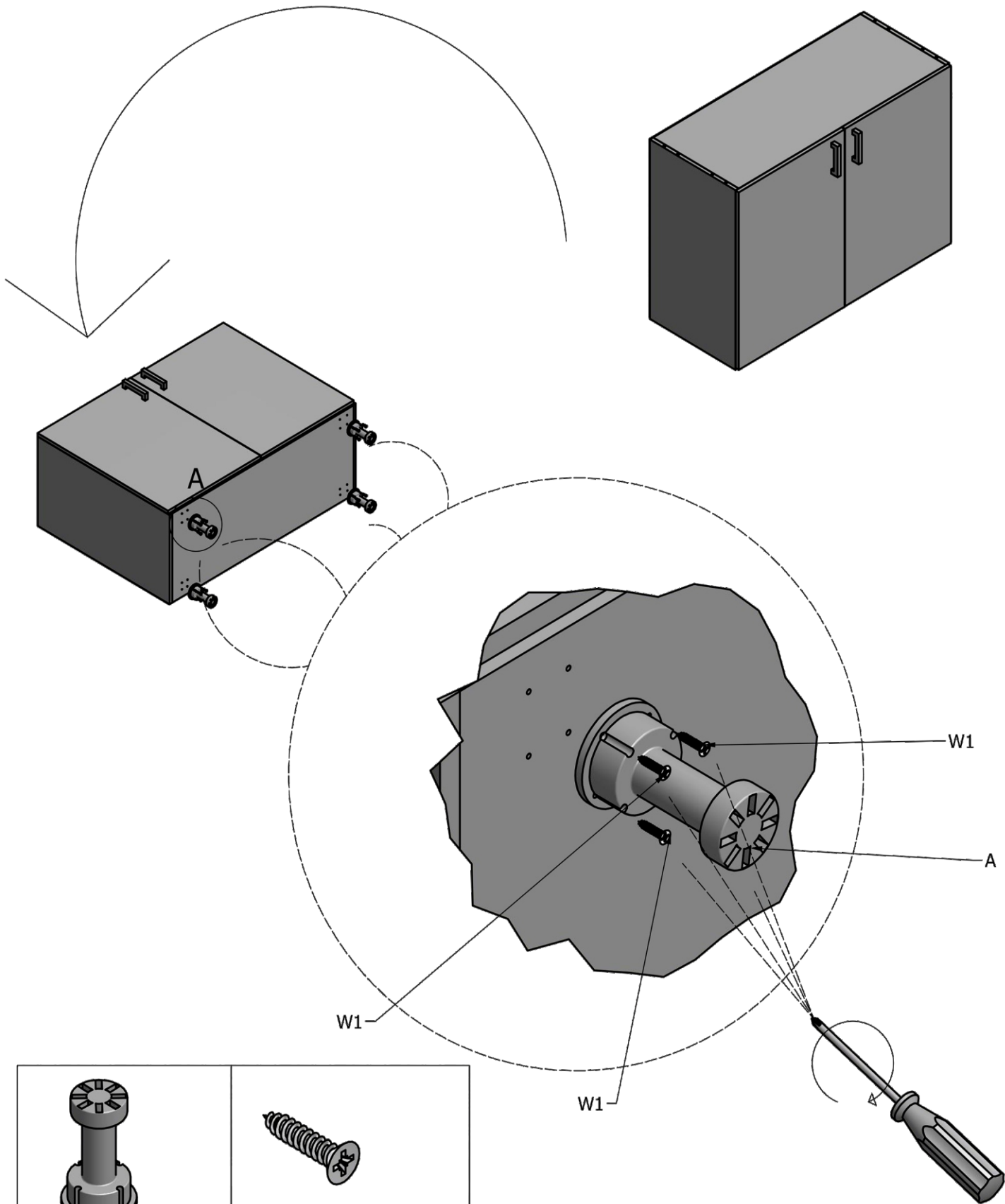
**H**

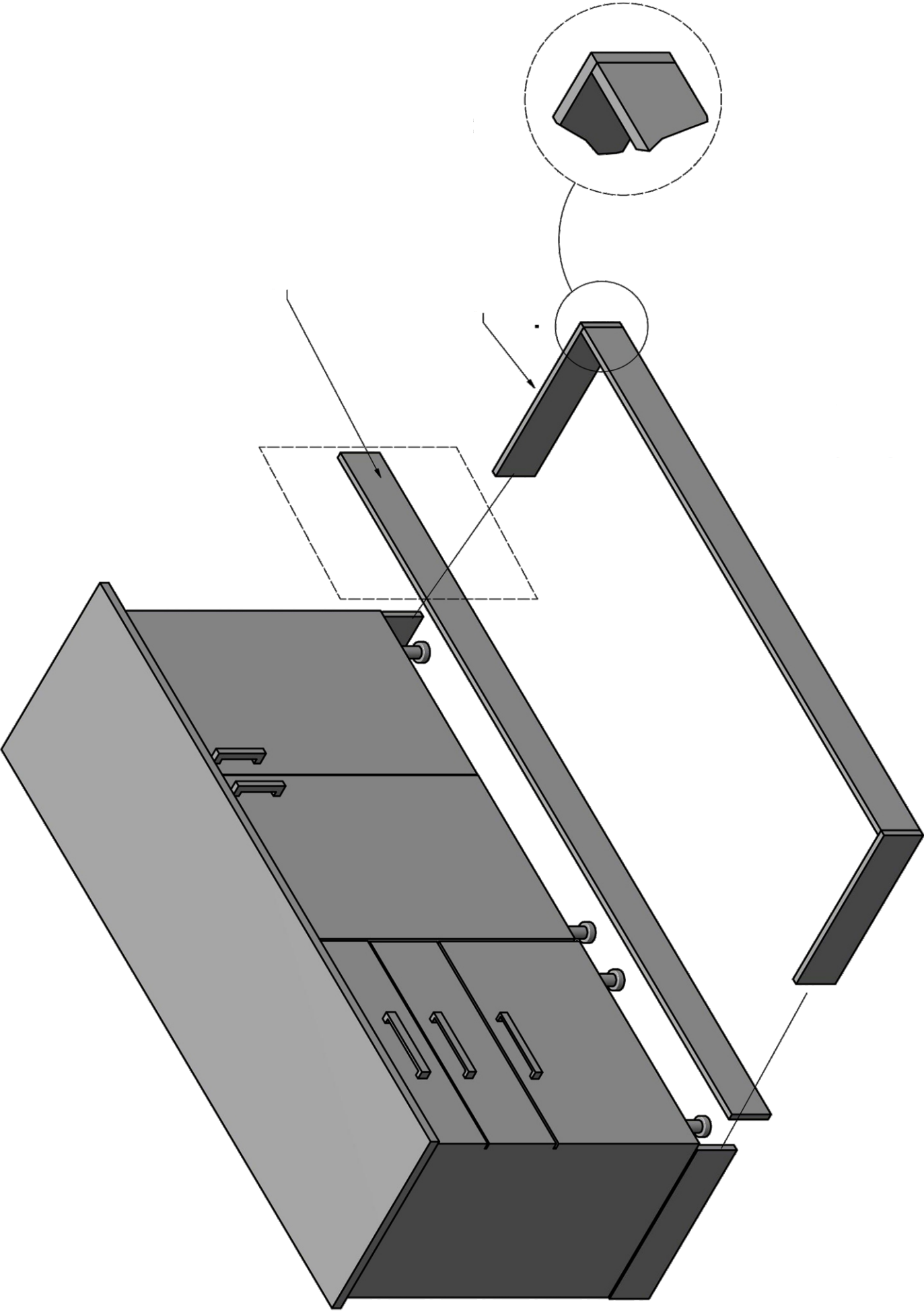
016001





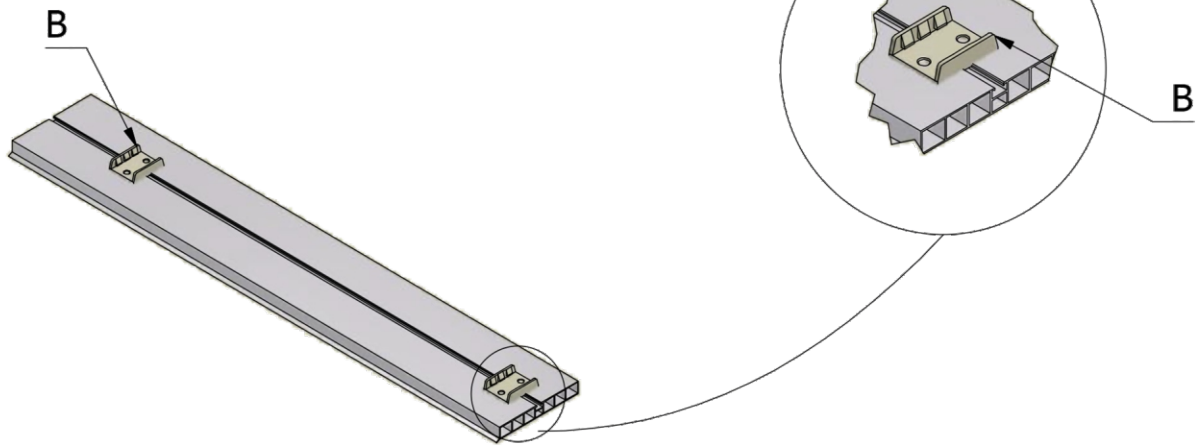




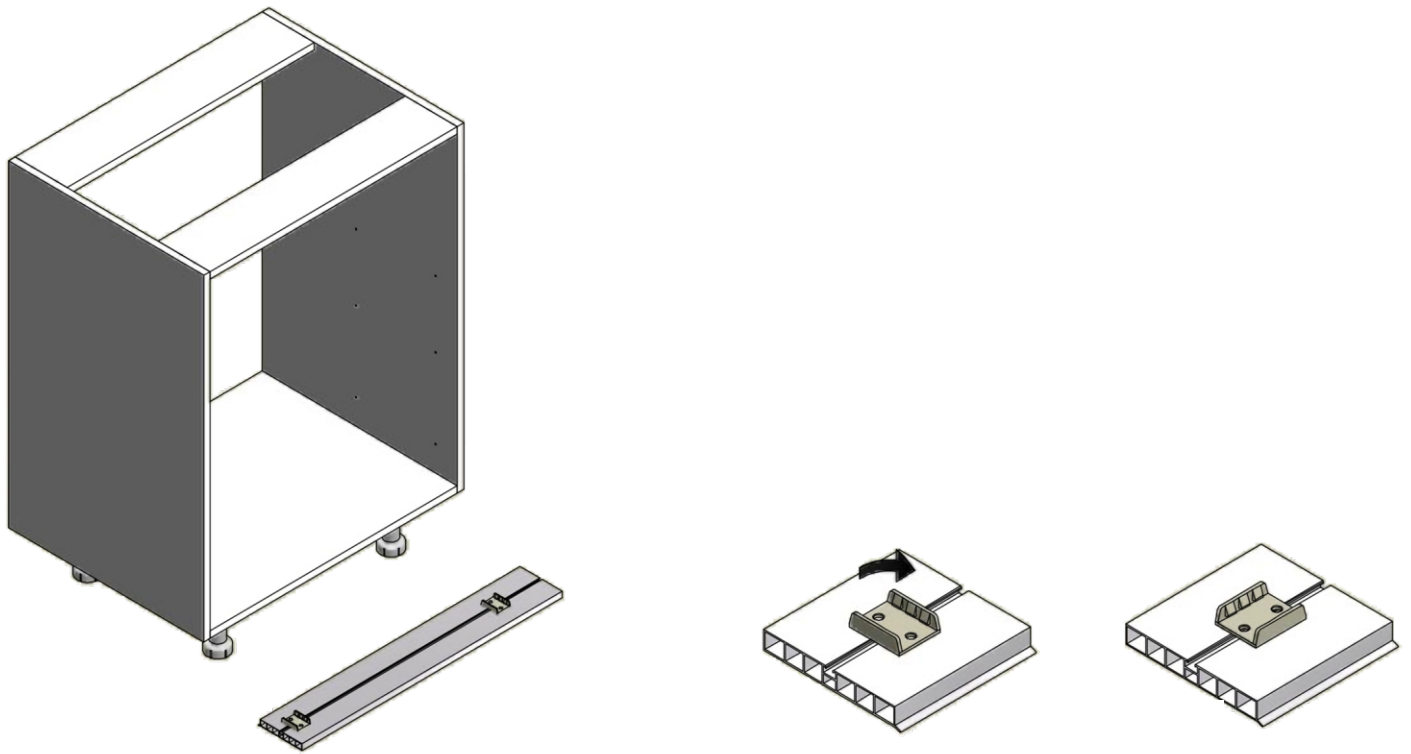




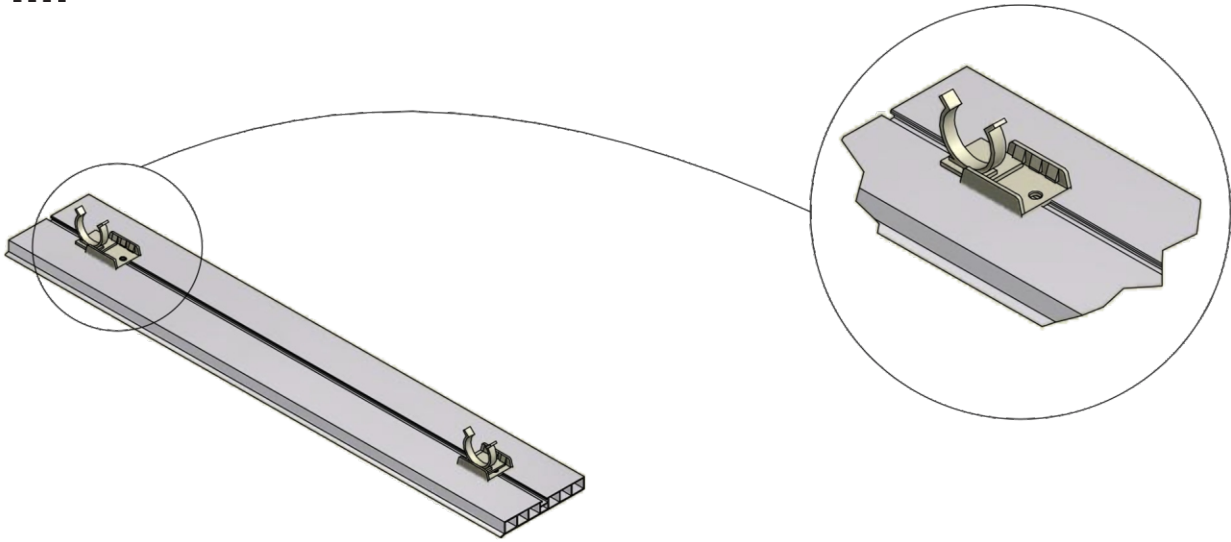
I.



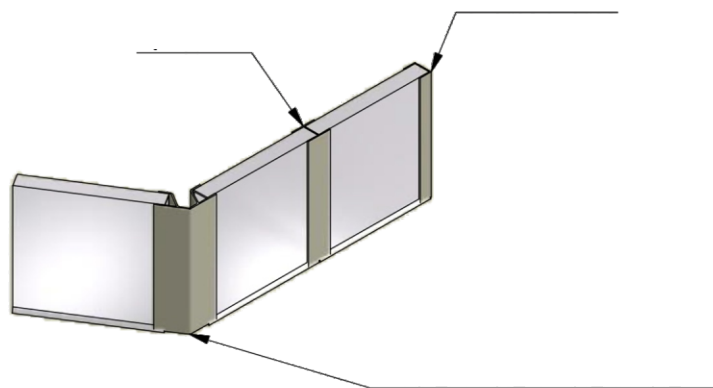
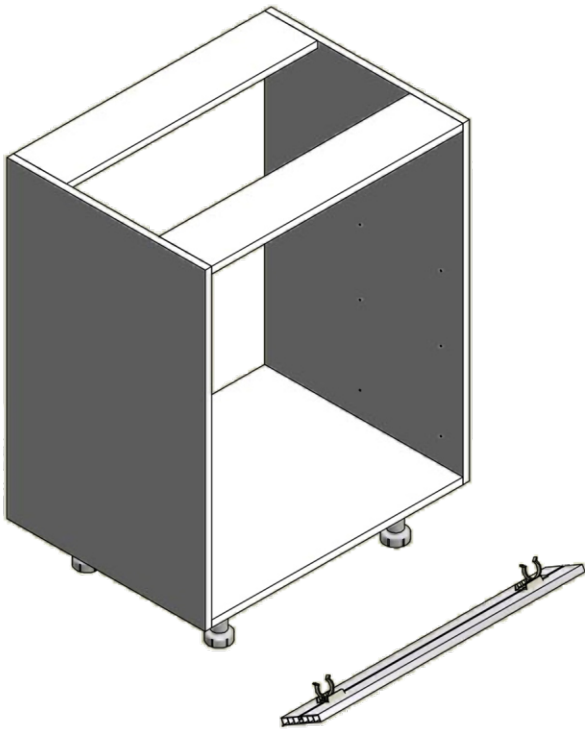
II.



III.



IV.



V.

