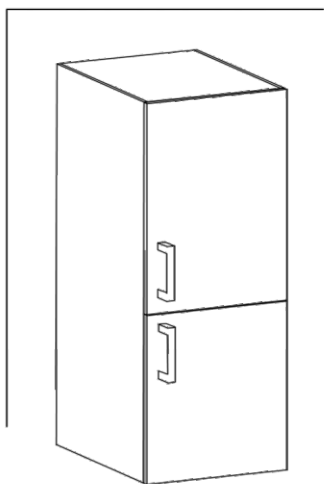


SICILIA D40SP



016004

019004

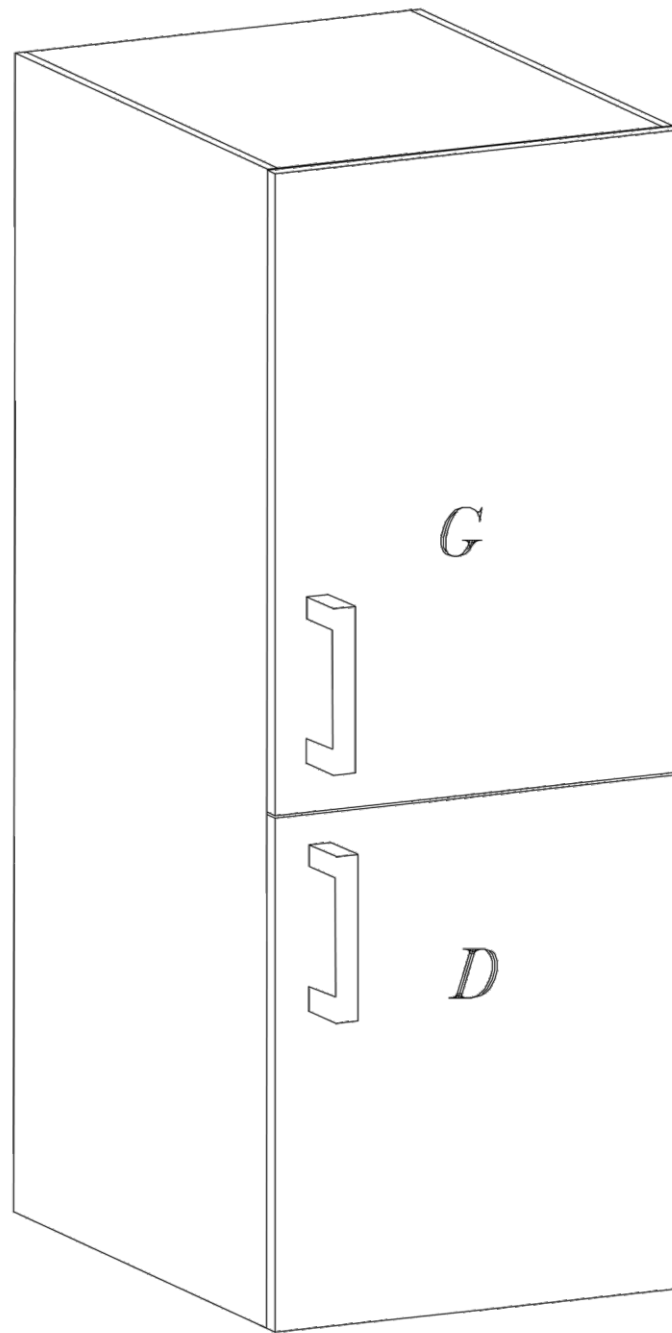
011008

018003

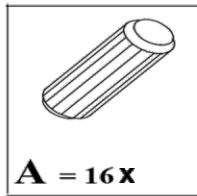
019004

011009

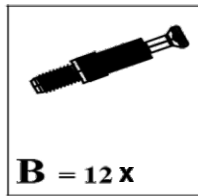
019025



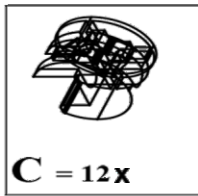
		D40SP	
SYSTEM	KOLOR	G	D
SAN MARINO	KREMOWY	400412	400404
COSTA	LAKIER BIEL	010412	010404
MALAGA	LAKIER PIASKOWY	380412	380404



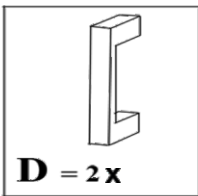
A = 16x



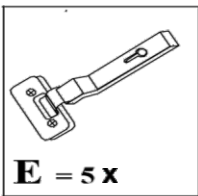
B = 12x



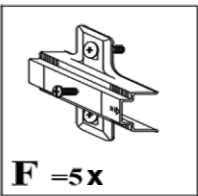
C = 12x



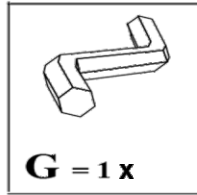
D = 2x



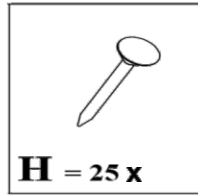
E = 5x



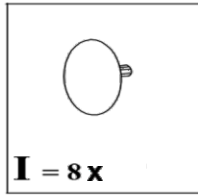
F = 5x



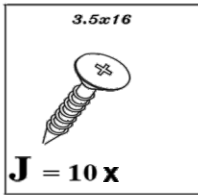
G = 1x



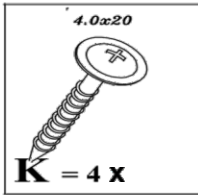
H = 25x



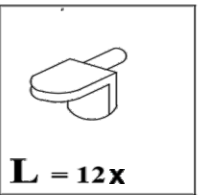
I = 8x



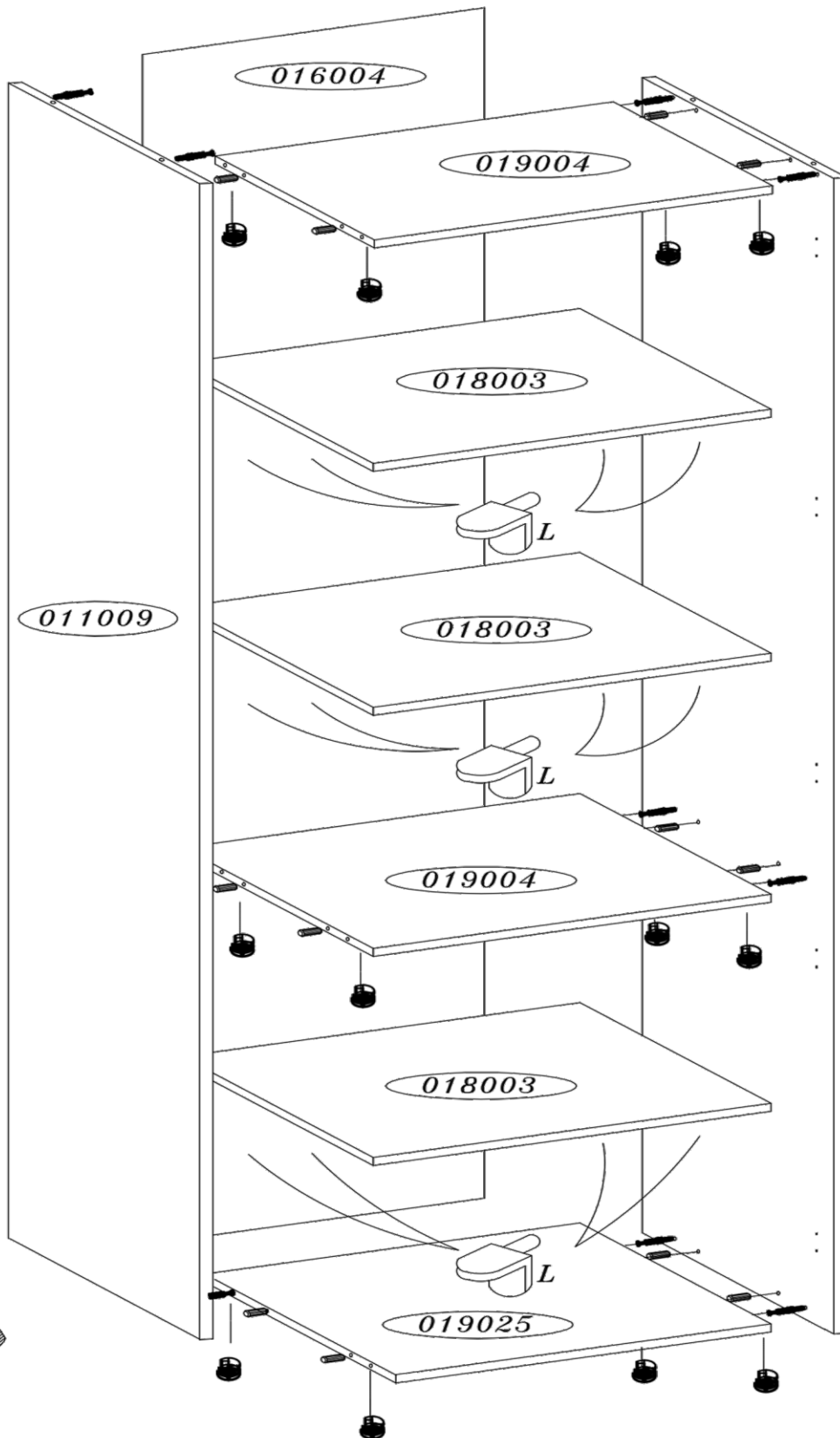
J = 10x

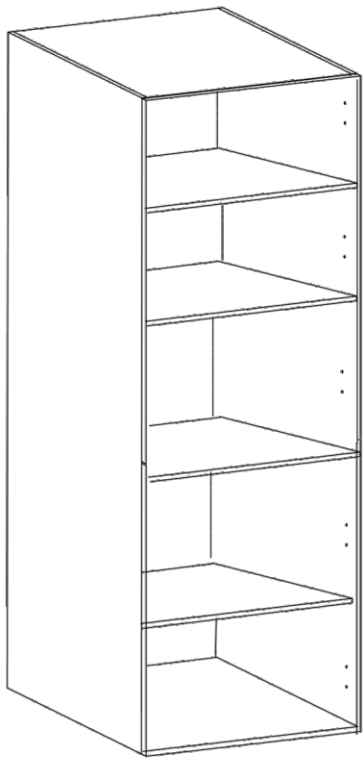


K = 4x

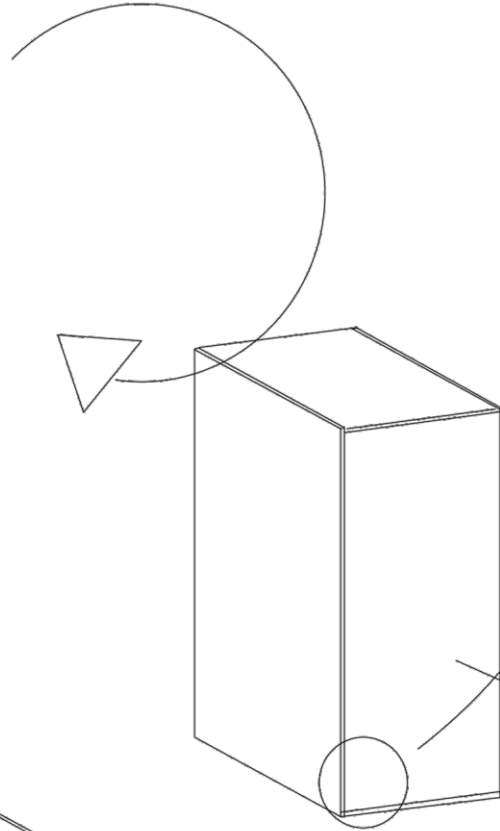
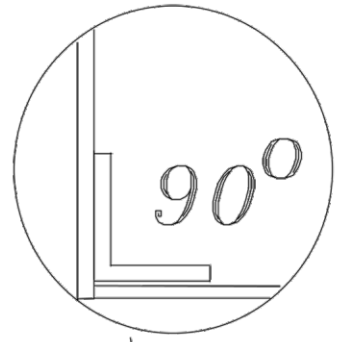


L = 12x

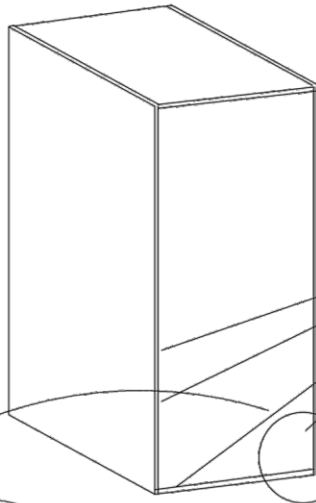




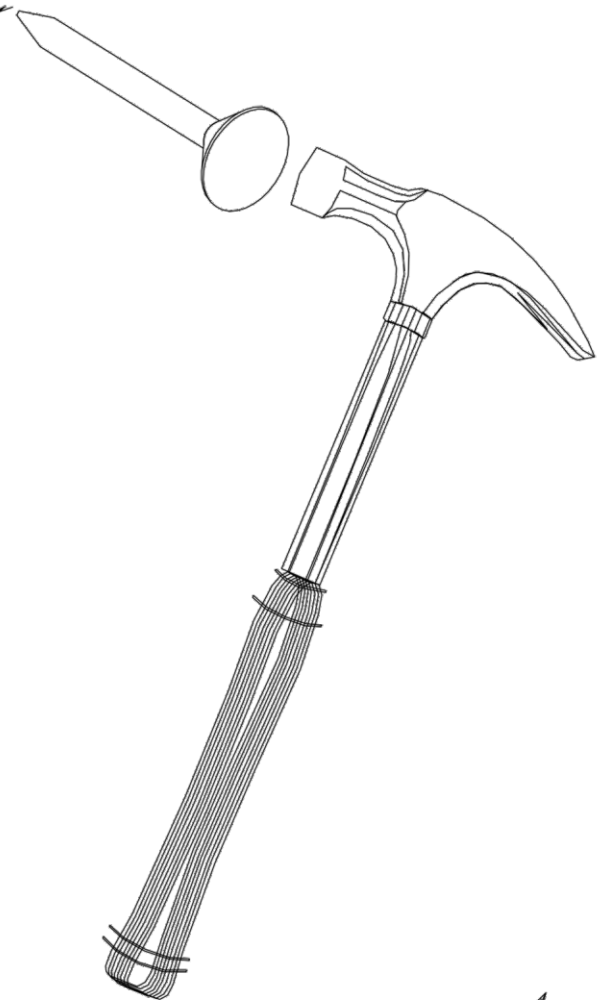
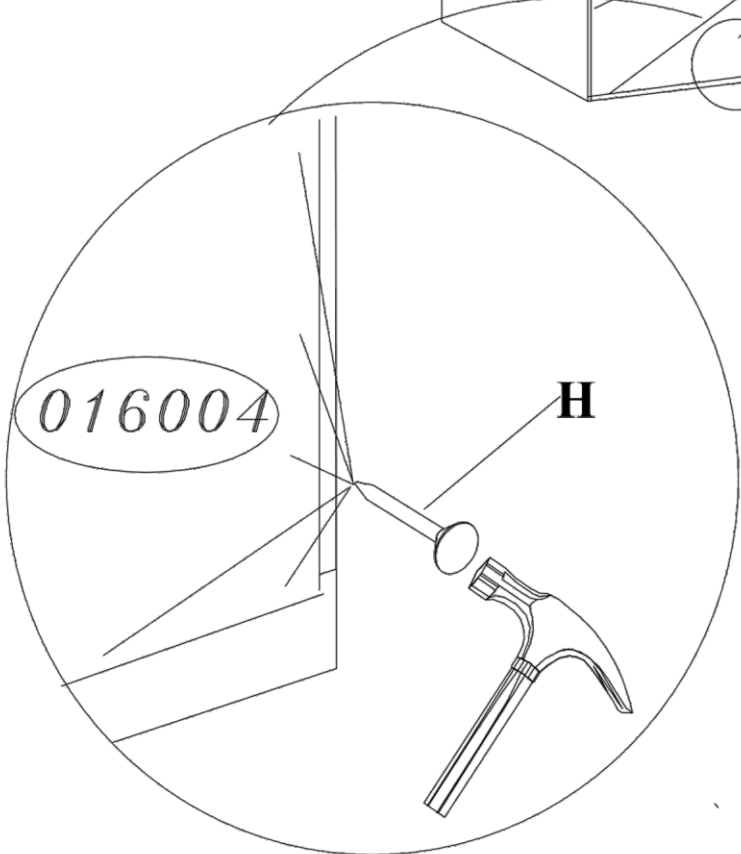
I

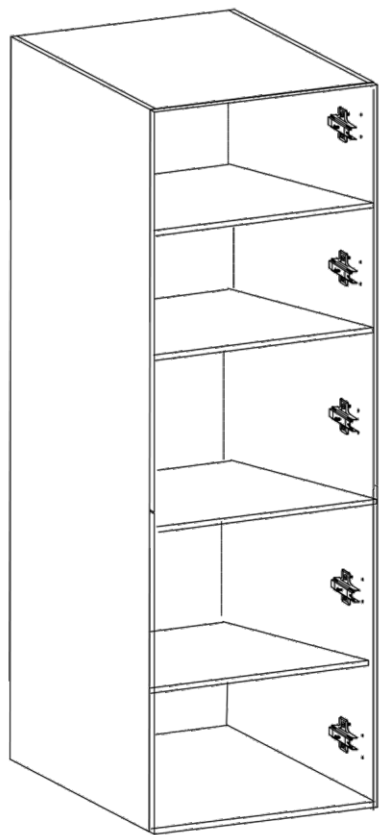


II

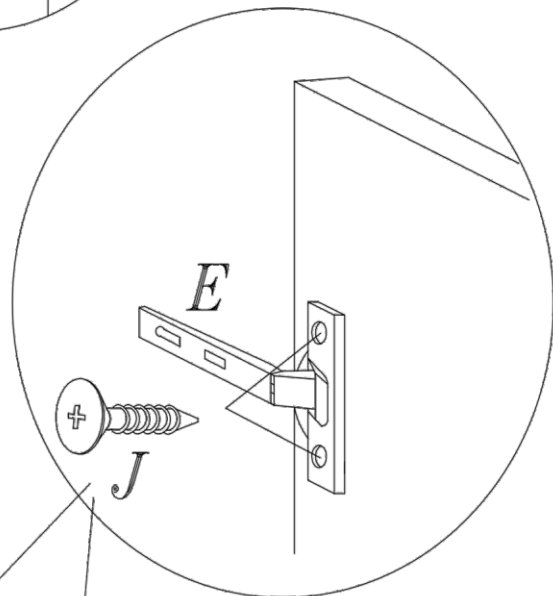
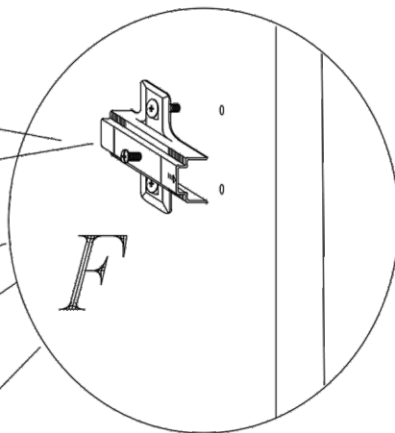


016004





I



II

