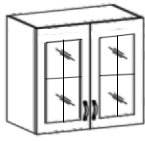


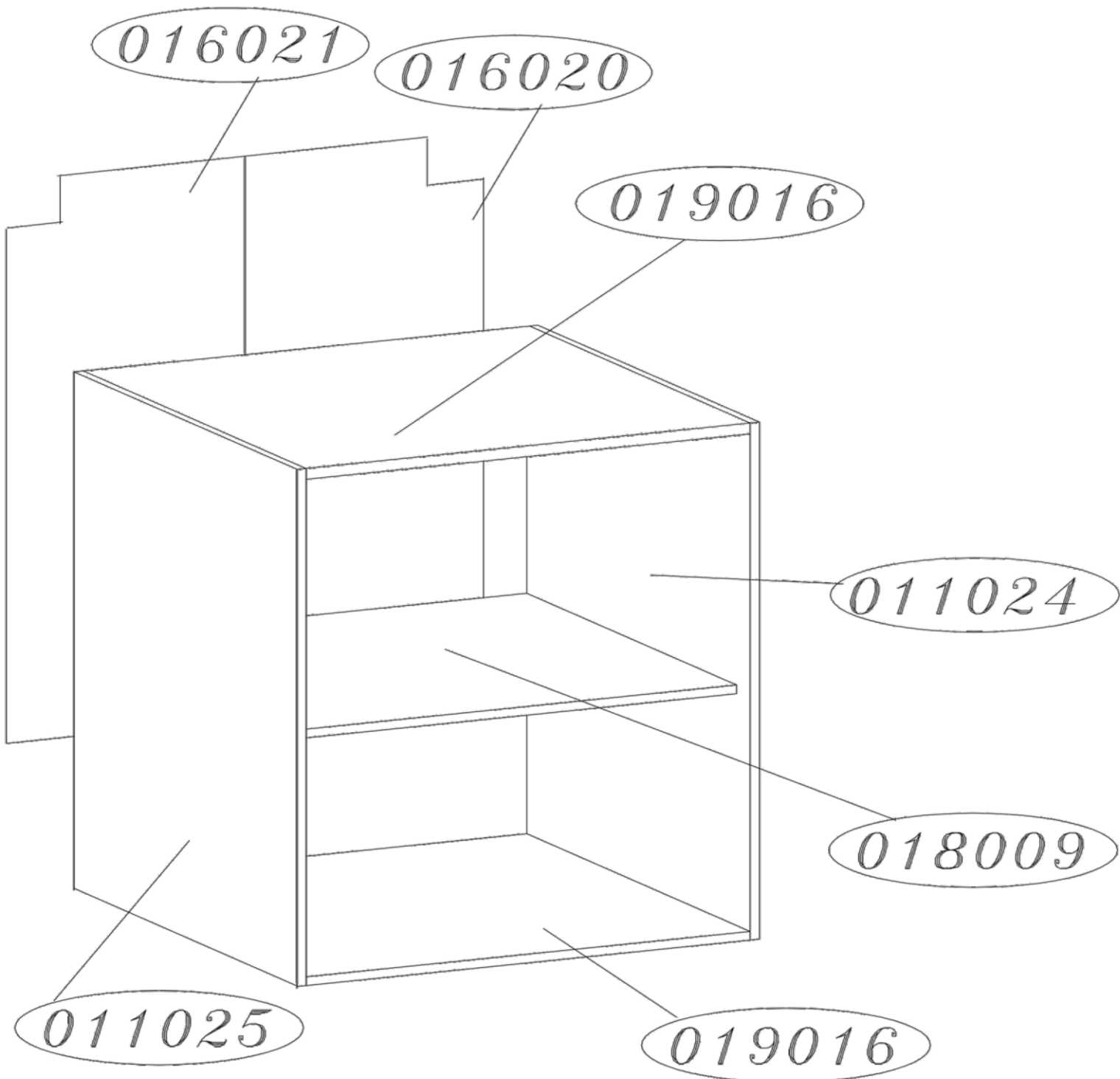


G80

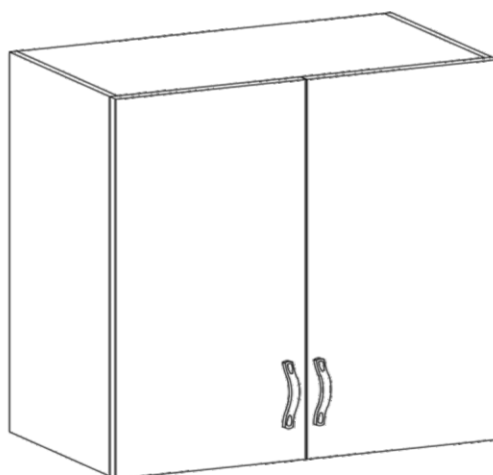


G80S

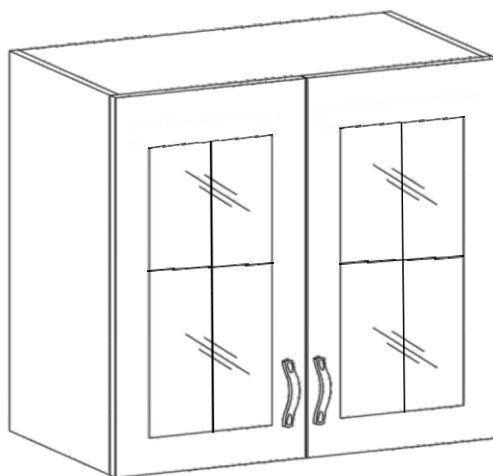
# SICILIA G80 / G80S



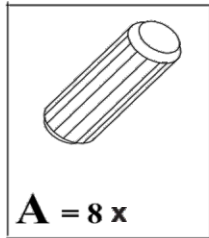
**G80**



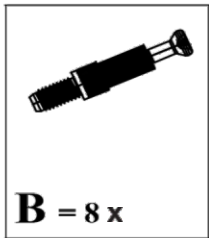
**G80S**



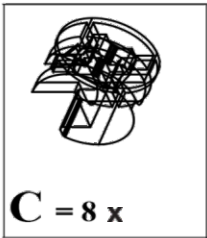
		G80		G80S	
SYSTEM	KOLOR	L	P	L	P
SAN MARINO	KREMOWY	400404	400405	400406	400407
COSTA	LAKIER BIEL	010404	010405	n.d.	n.d.
MALAGA	LAKIER PIASKOWY	380404	380405	n.d.	n.d.



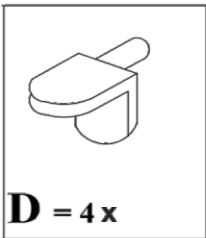
**A = 8 x**



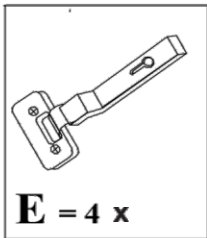
**B = 8 x**



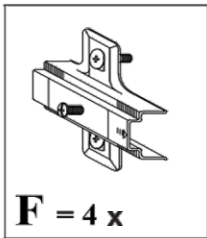
**C = 8 x**



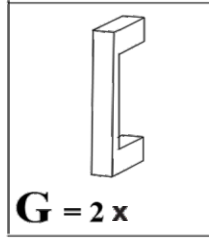
**D = 4 x**



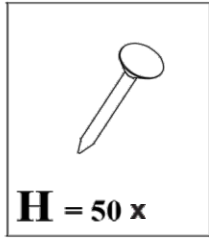
**E = 4 x**



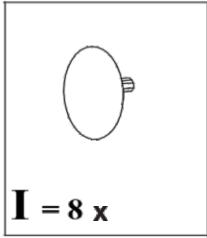
**F = 4 x**



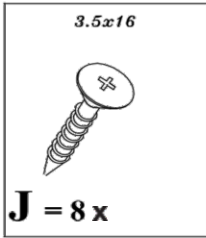
**G = 2 x**



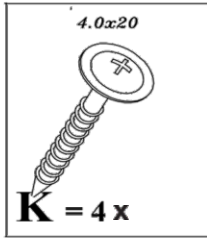
**H = 50 x**



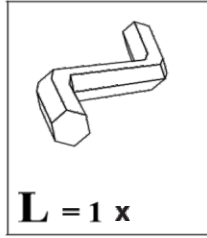
**I = 8 x**



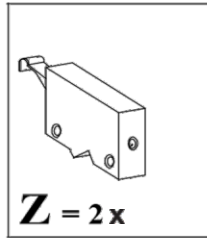
**J = 8 x**



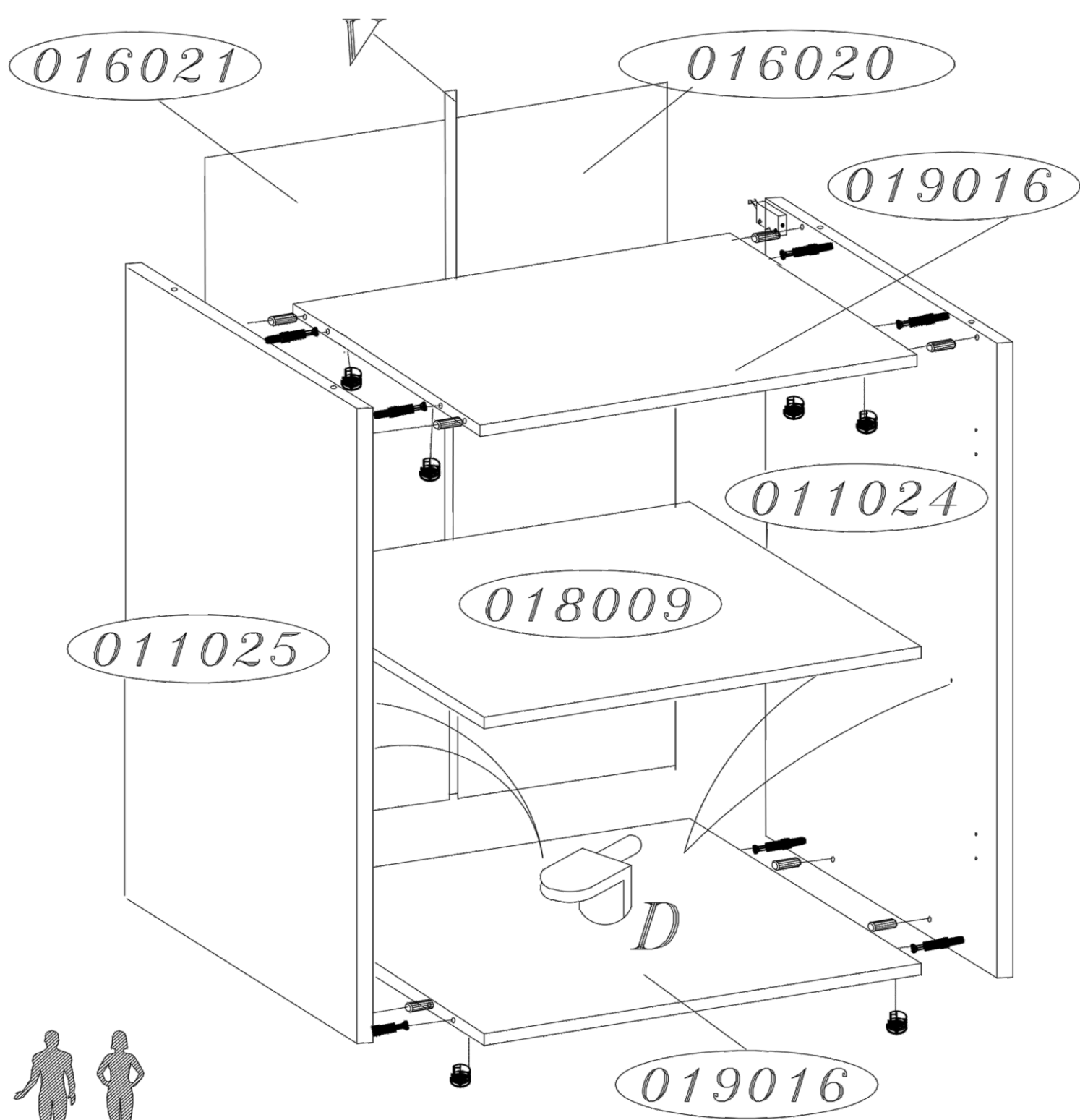
**K = 4 x**

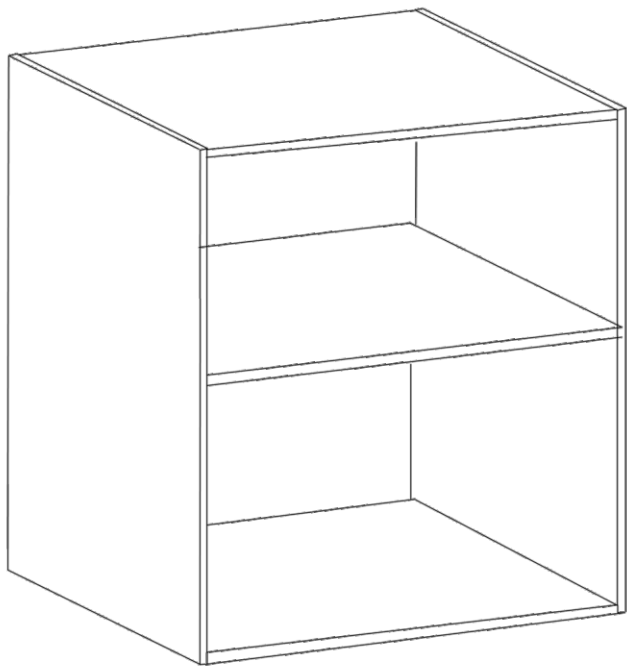


**L = 1 x**

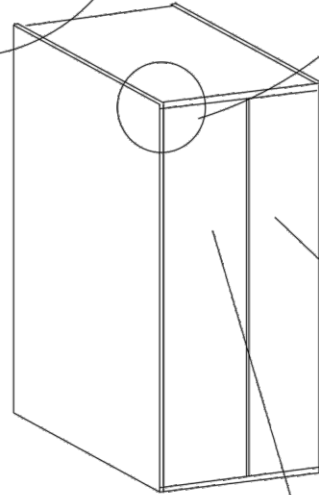
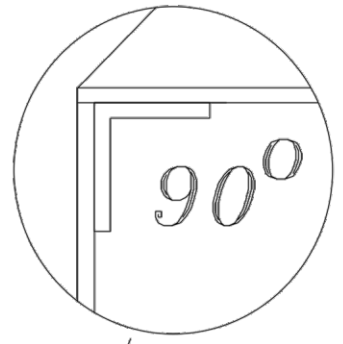


**Z = 2 x**





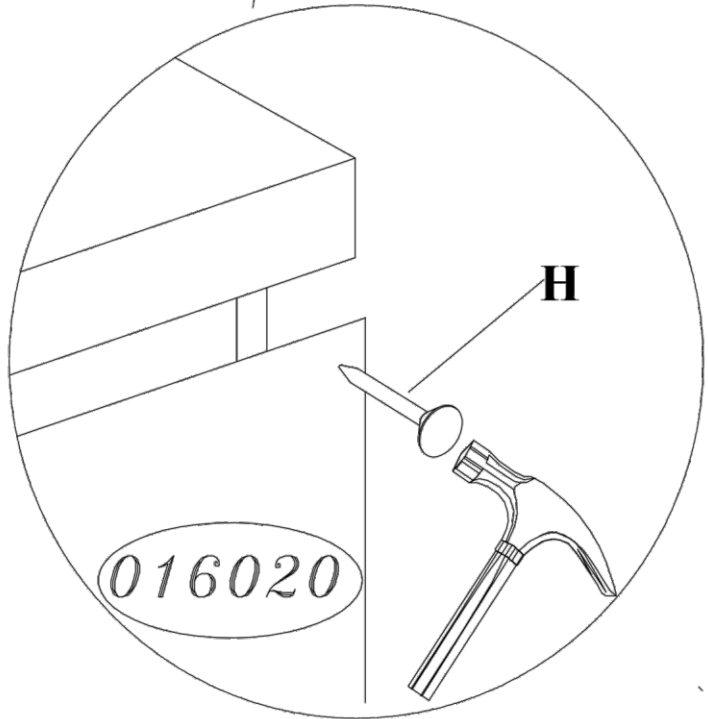
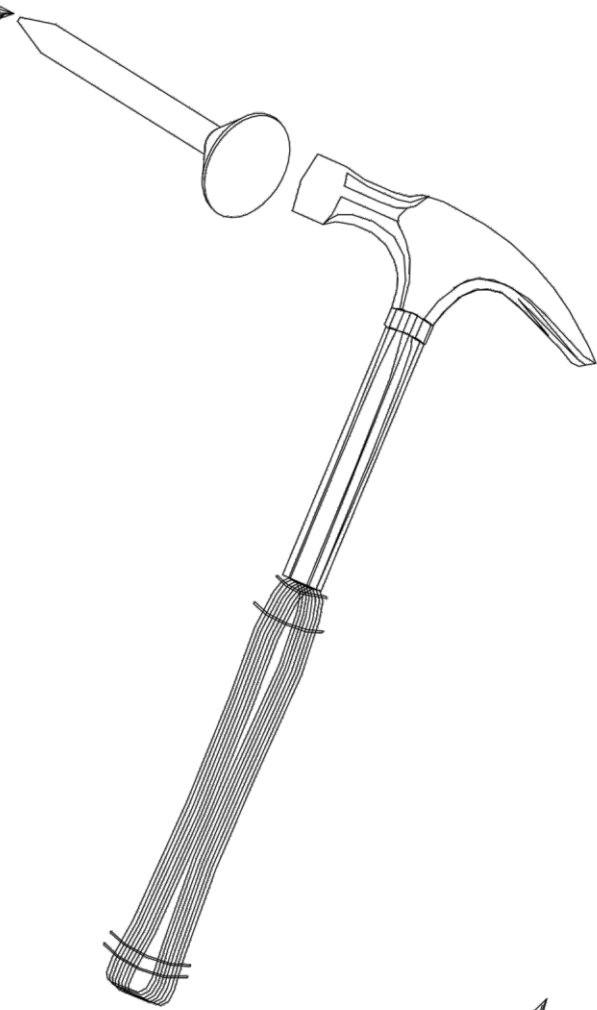
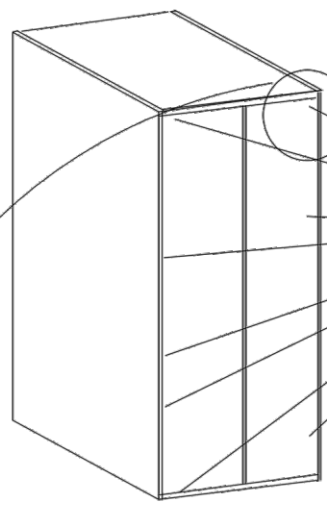
**I**



016021

016020

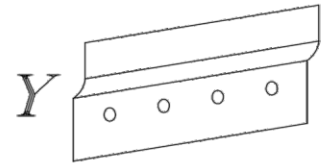
**II**



**H**

016020





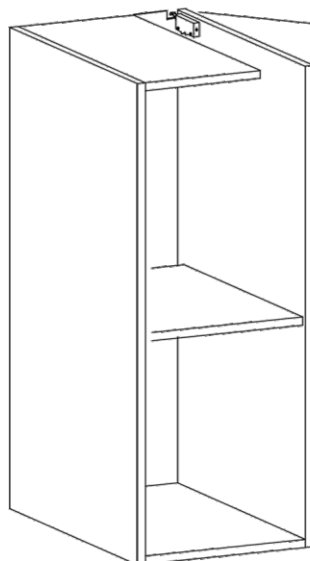
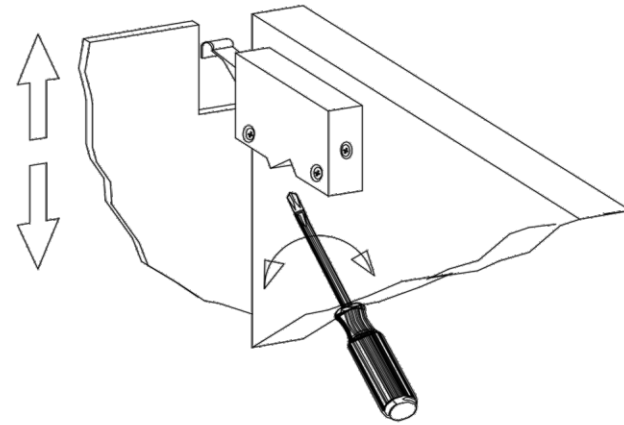
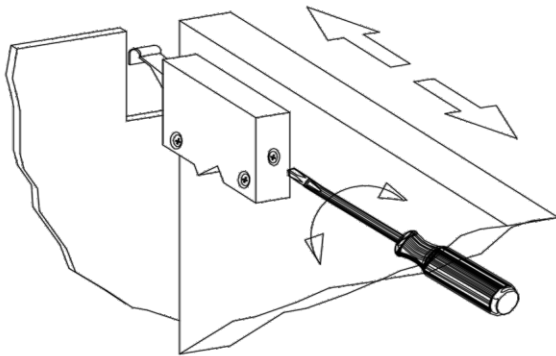
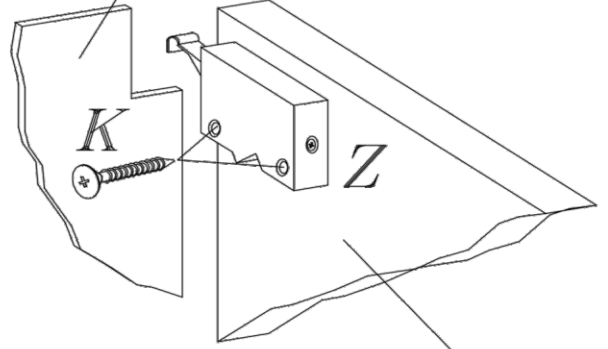
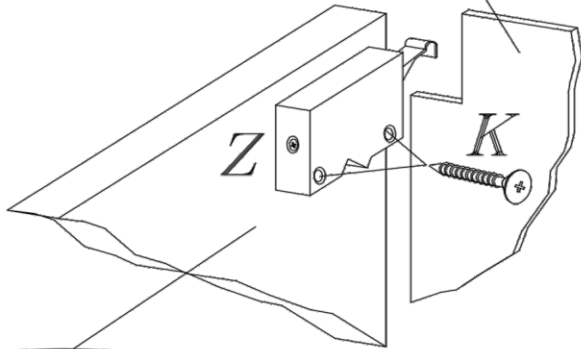
A

016021

016020

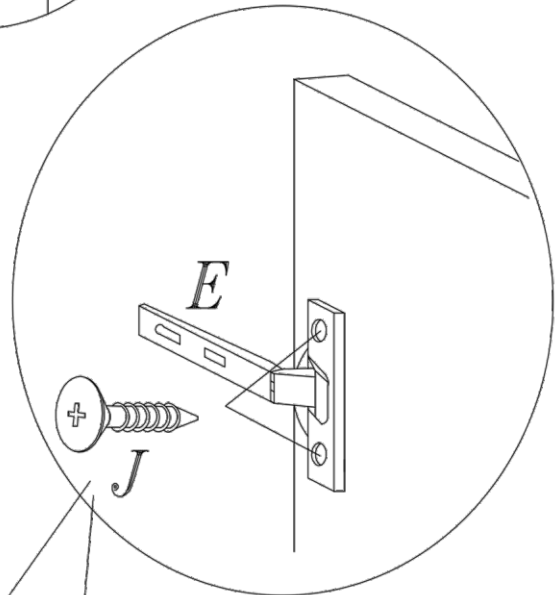
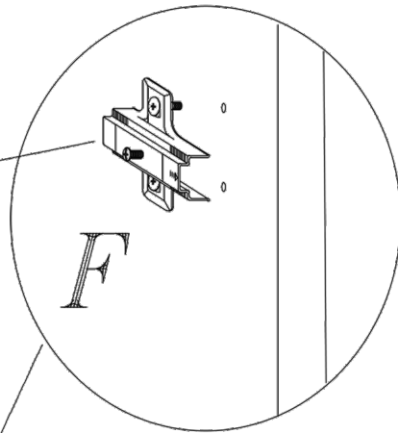
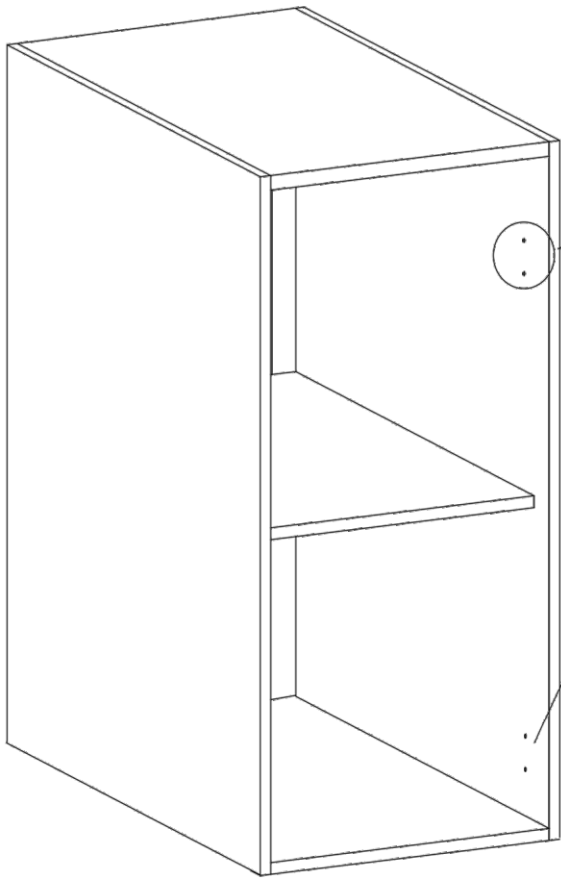
011025

011024



A

# I



# II

