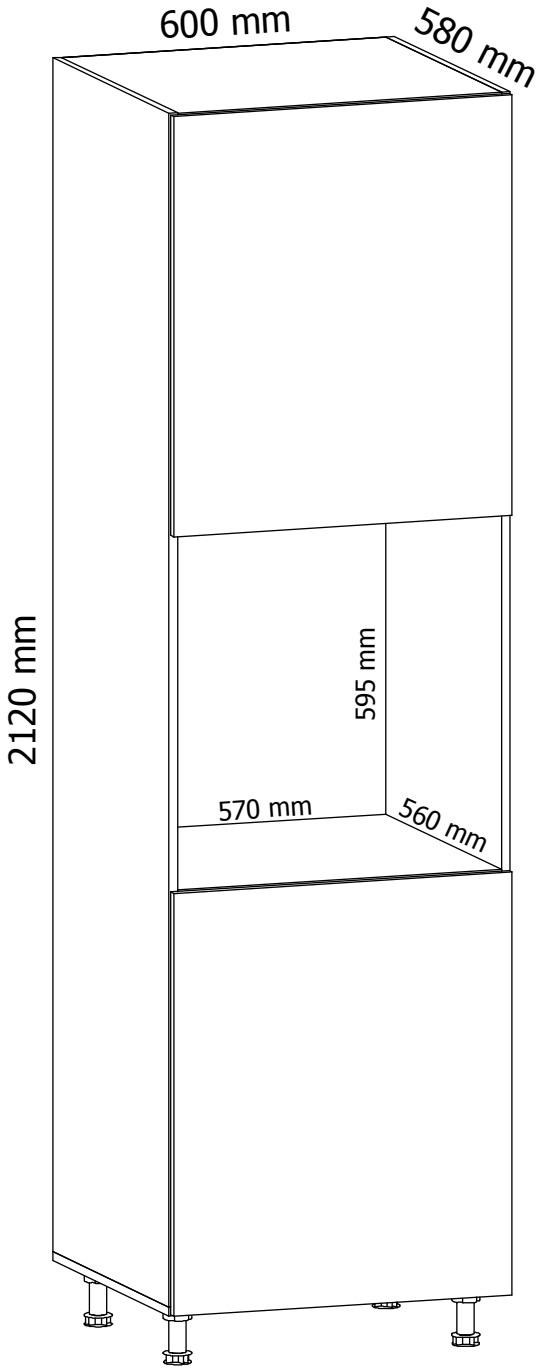
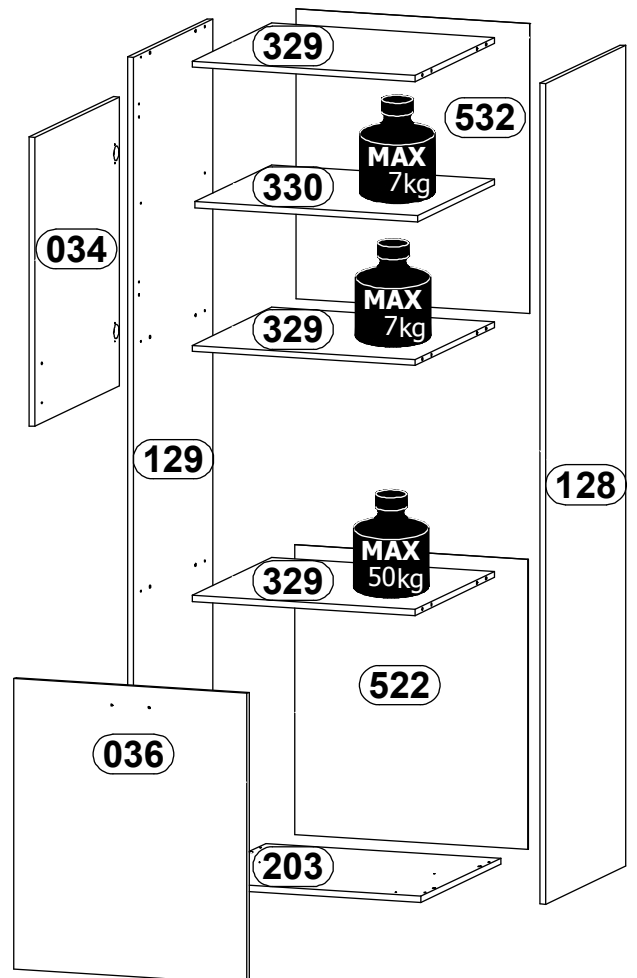
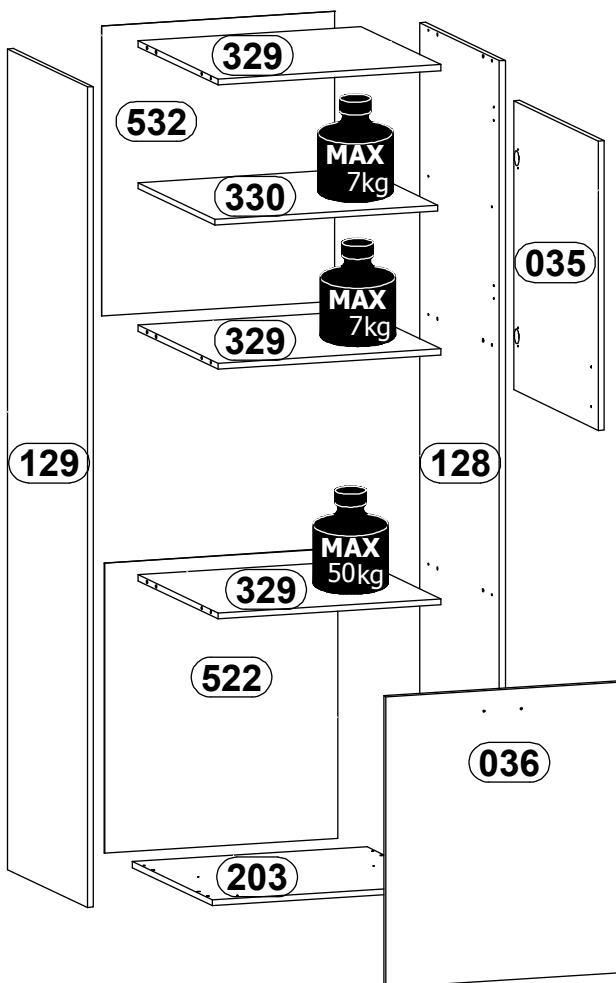
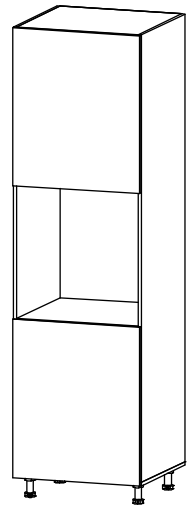
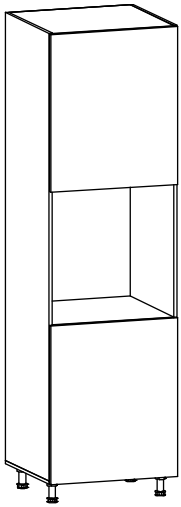
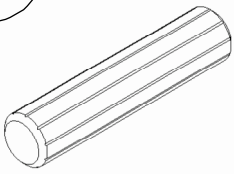
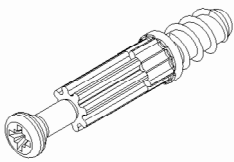
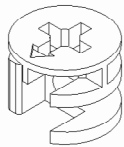
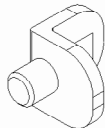
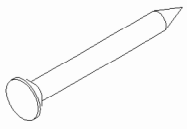
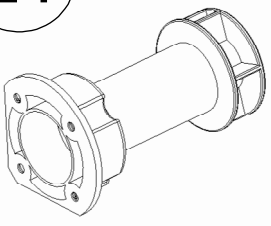
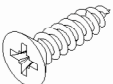

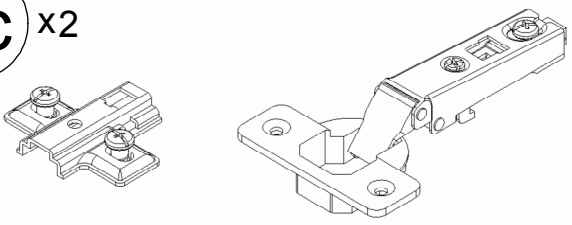


AURORA D60P

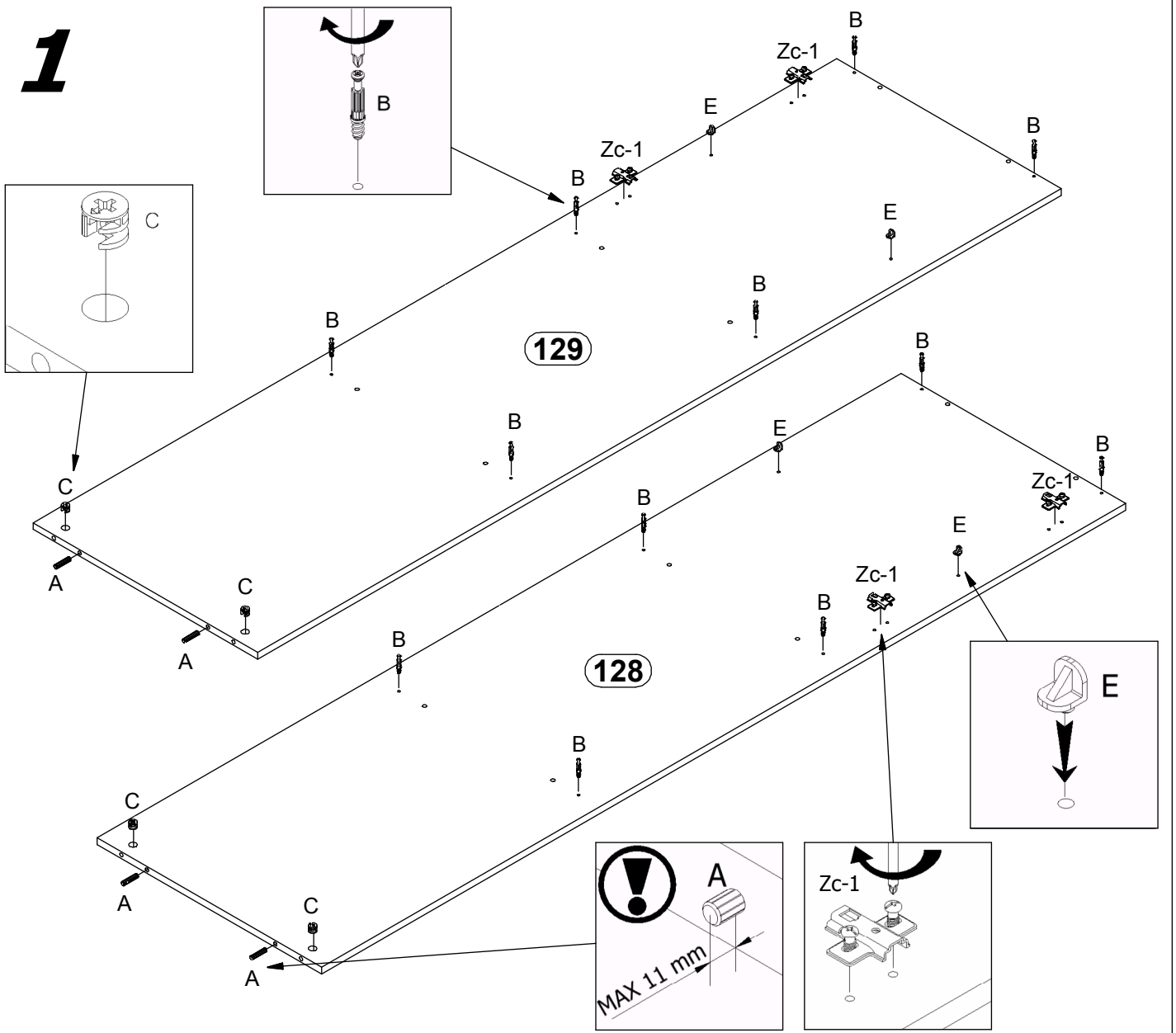


AURORA D60P

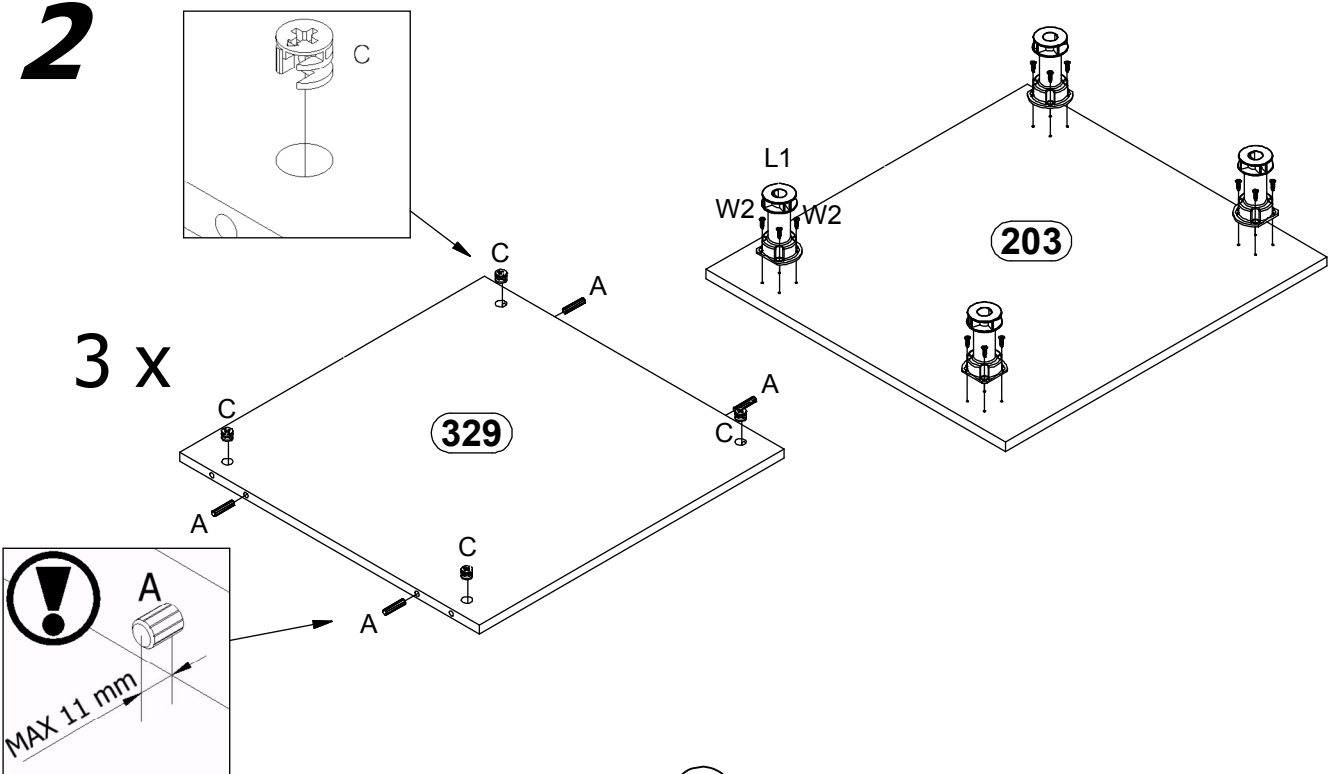


<p>A x16</p>  <p>Ø8x35mm</p>	<p>B x16</p> 	<p>C x16</p>  <p>Ø15x12mm</p>	<p>E x4</p> 
<p>G x60</p> 	<p>L1 x4</p> 		<p>W2 x20</p>  <p>Ø3,5x16mm</p>
<p>Y x16</p>  <p>Ø18 mm</p>	<p>Zc x2</p>  <p>Zc-1 Zc-2</p>		

1



2

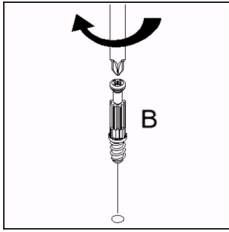
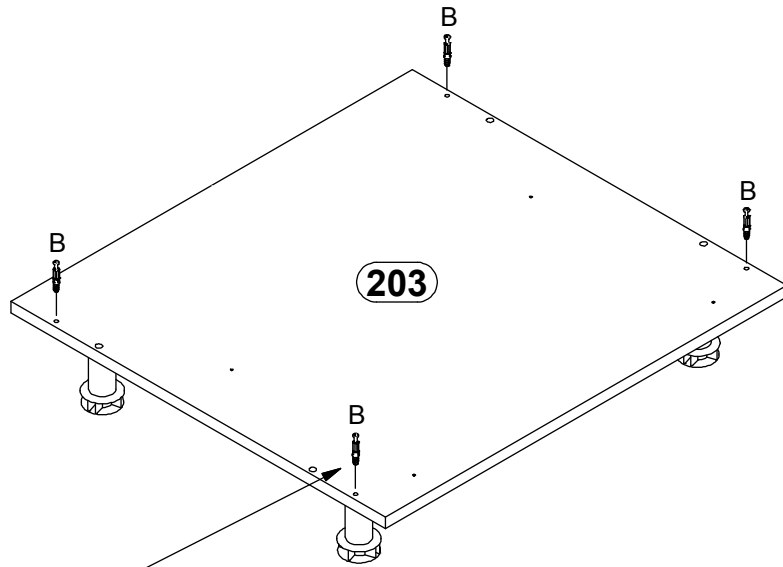


3 x

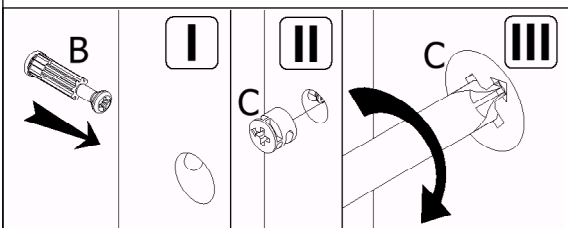
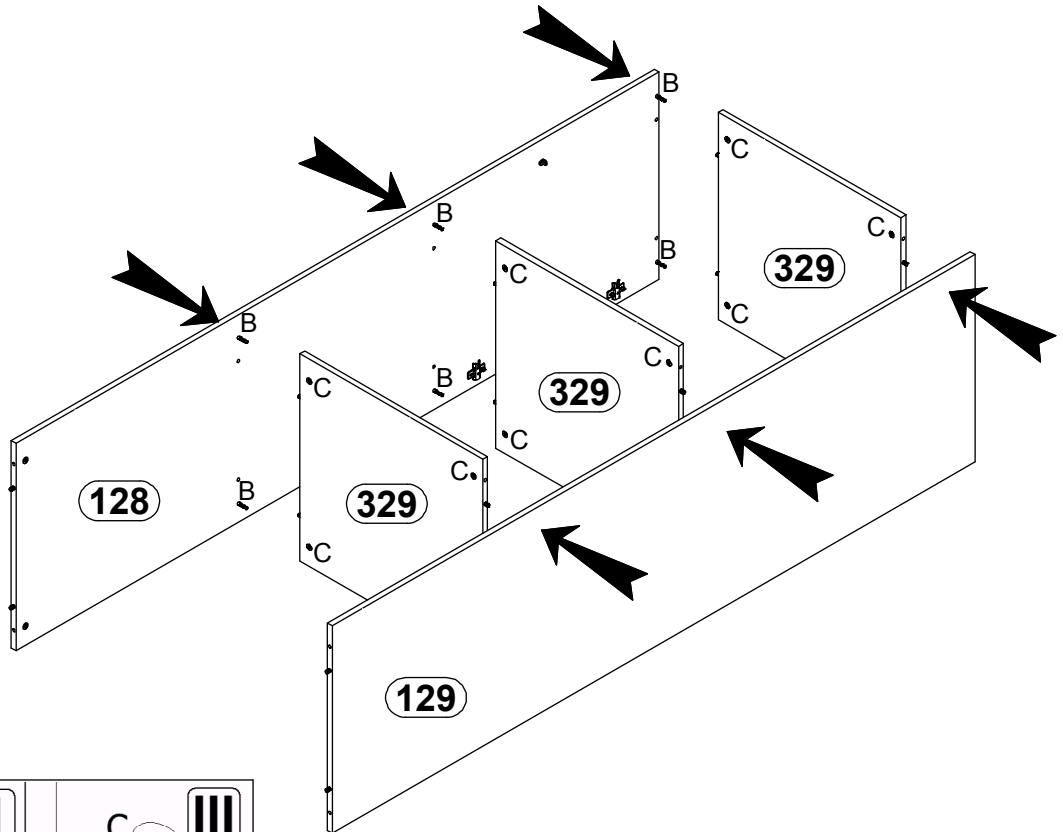
329

203

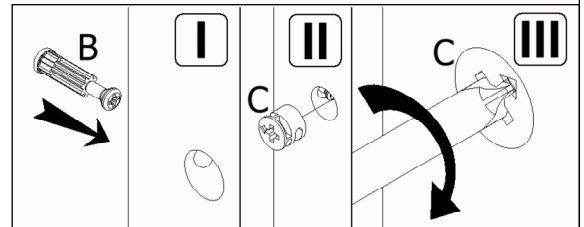
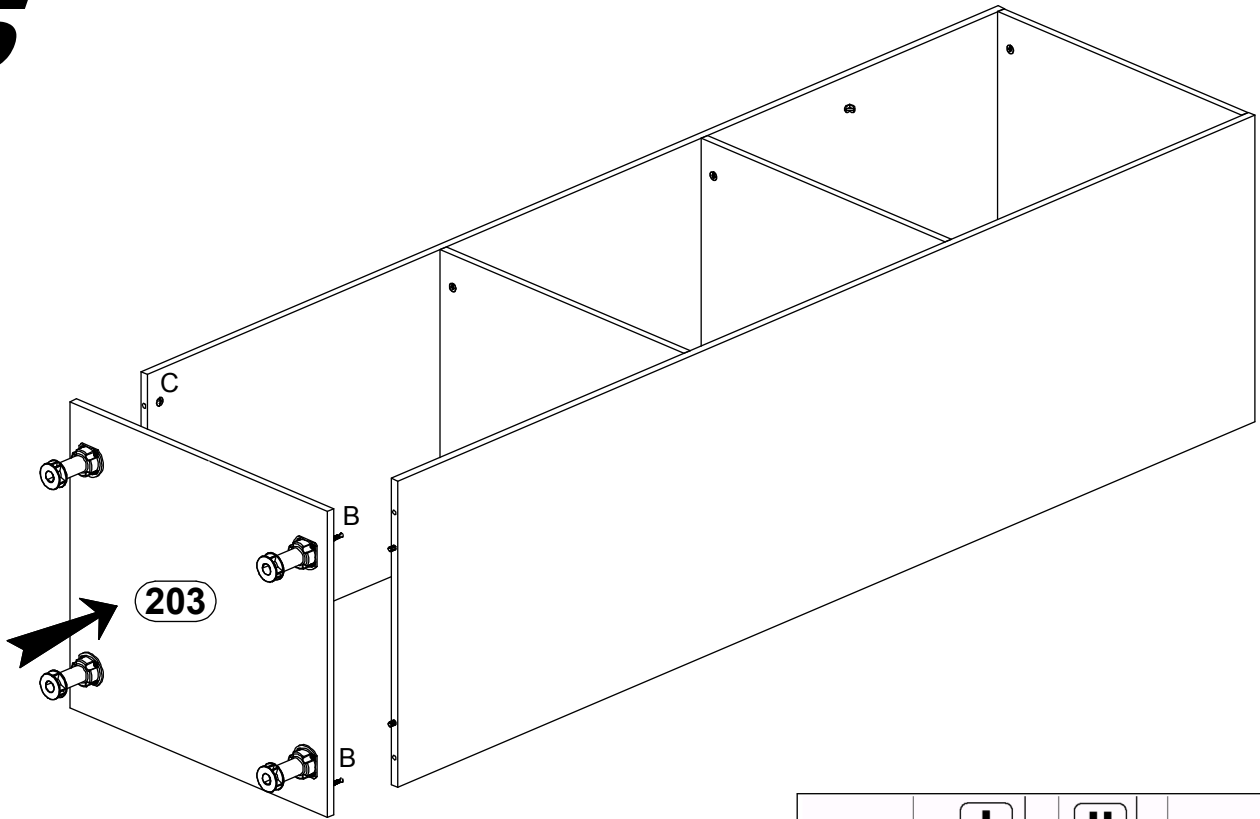
3



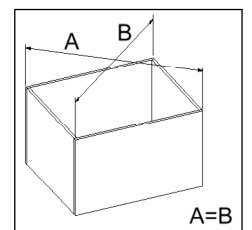
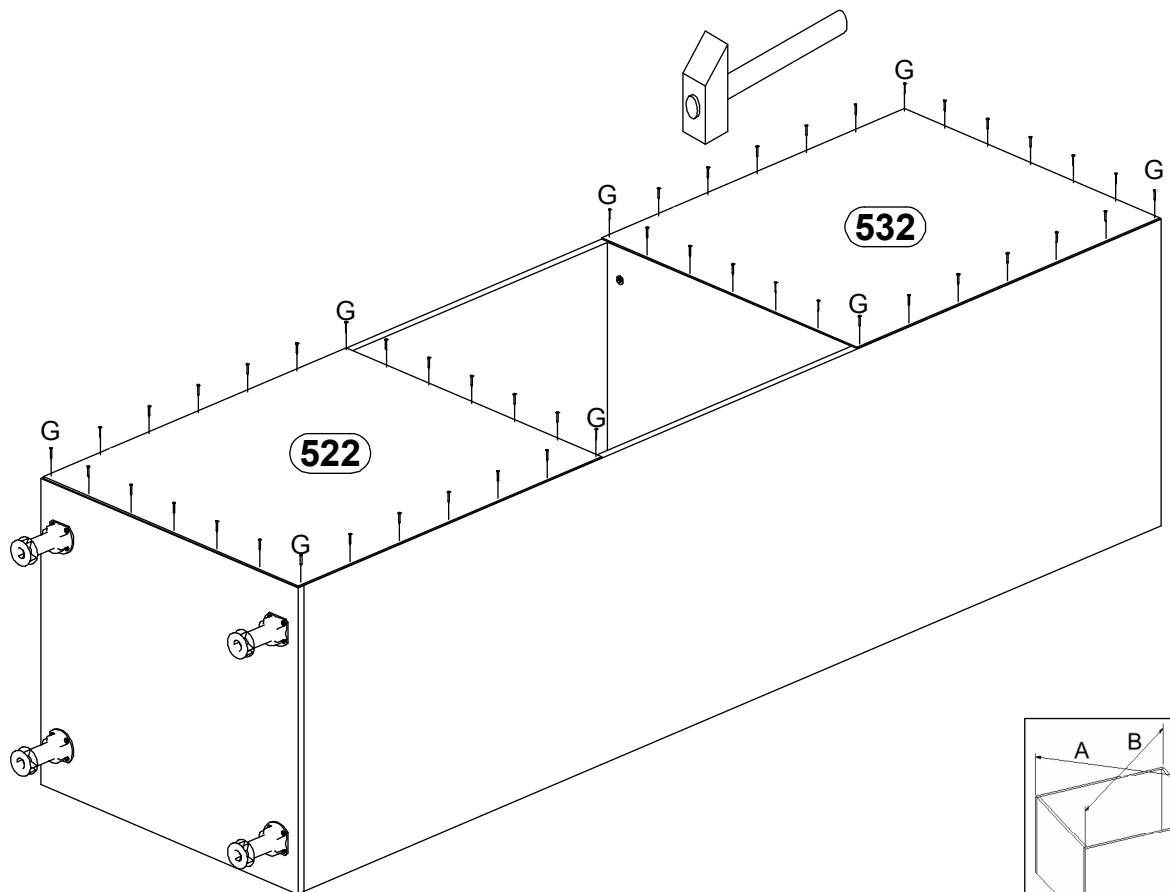
4



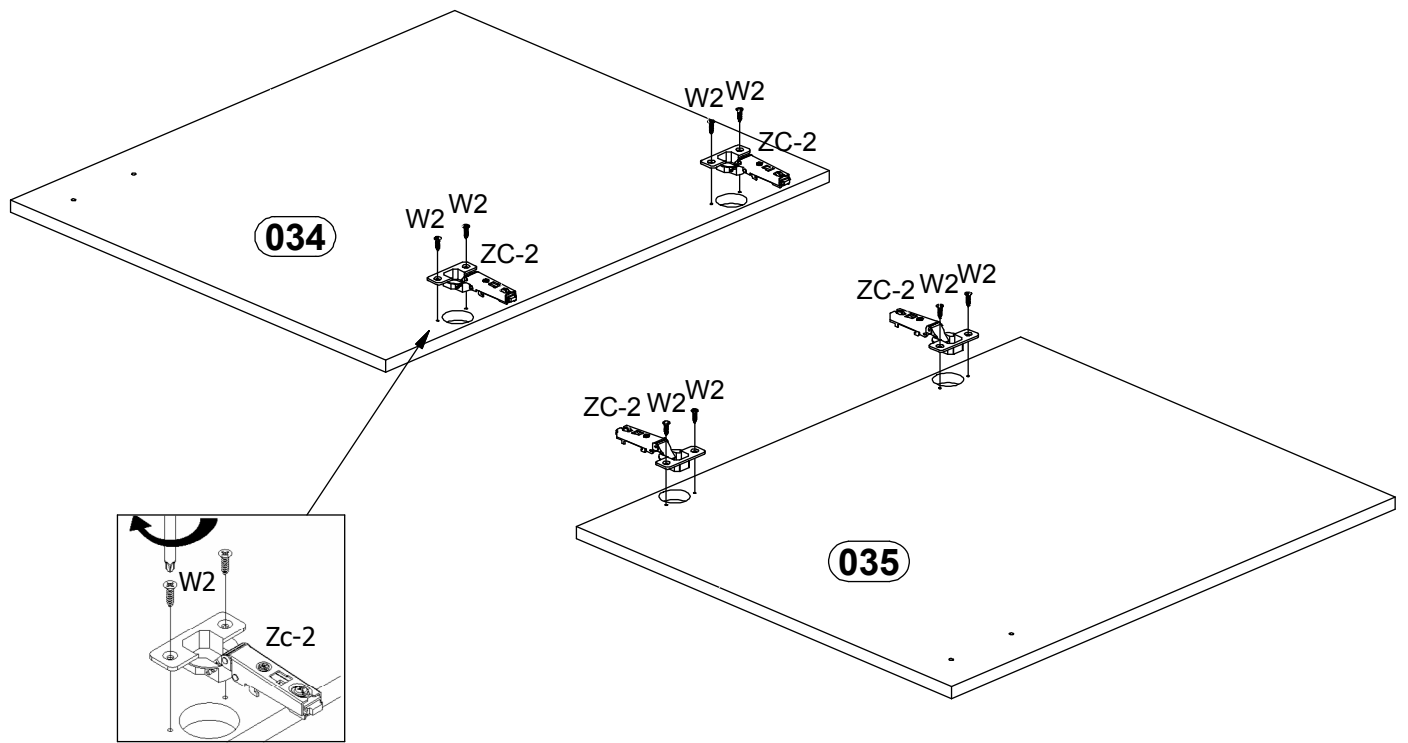
5



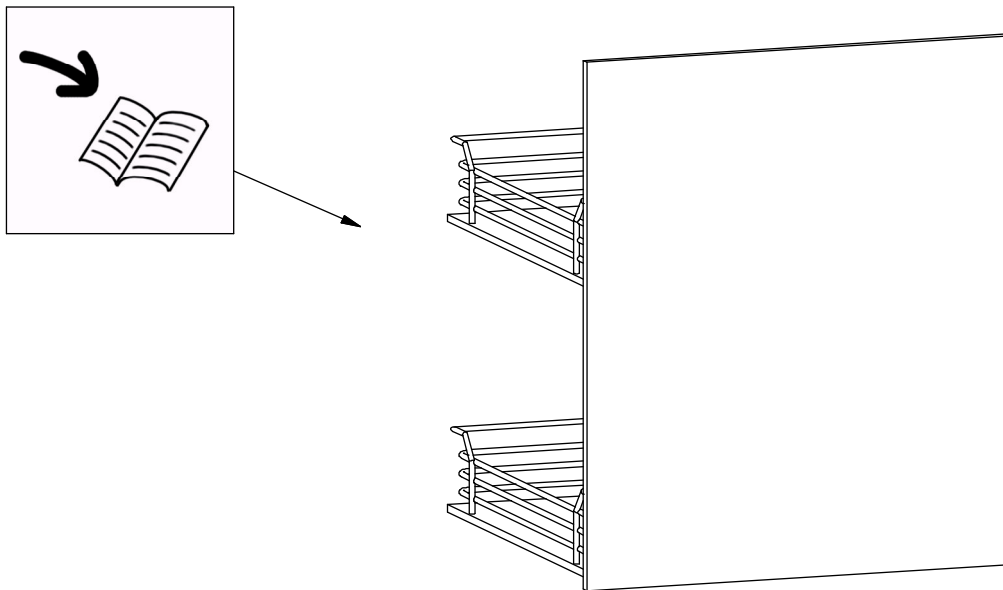
6



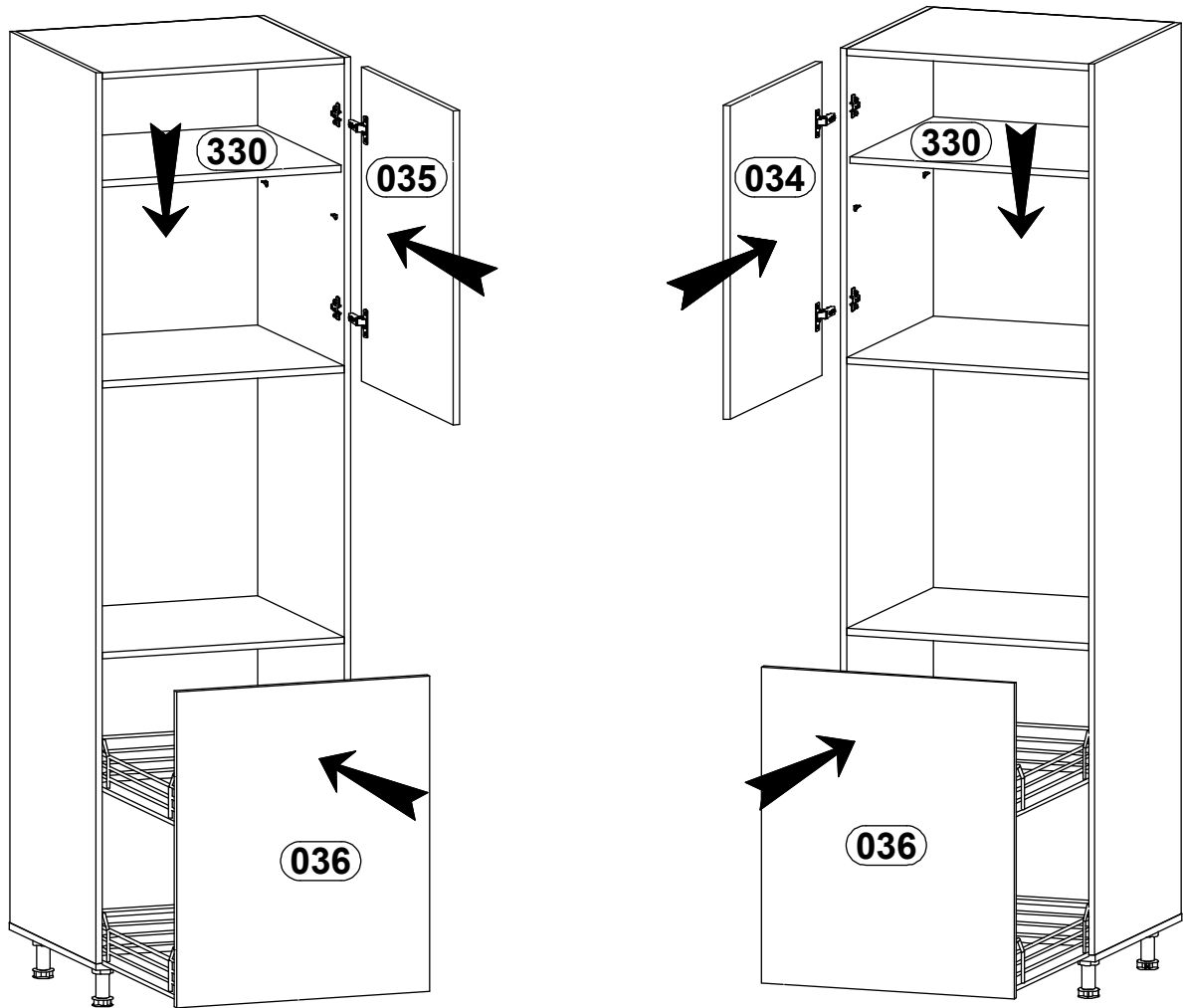
7



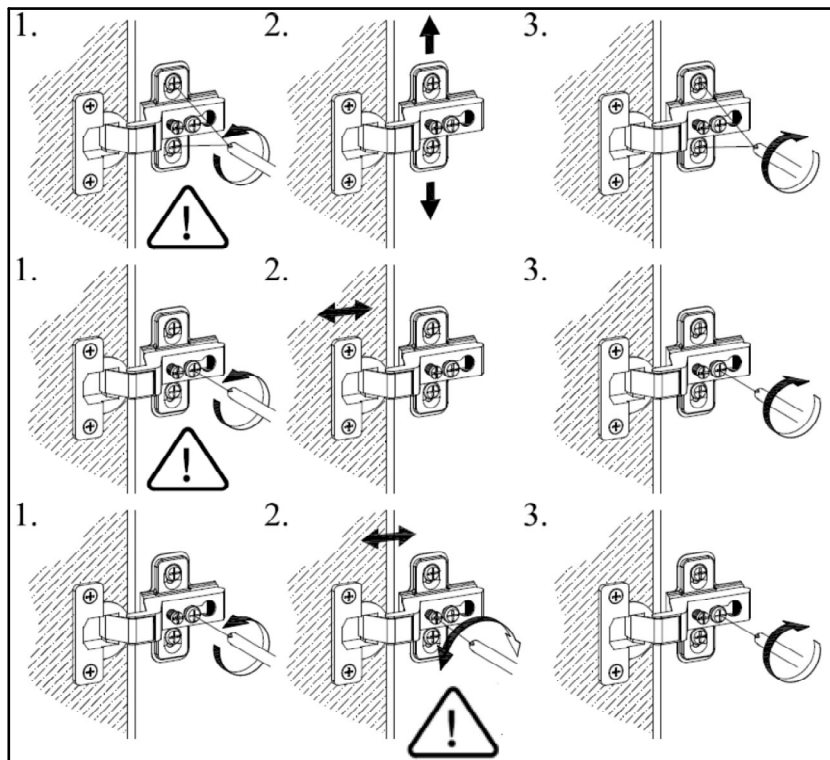
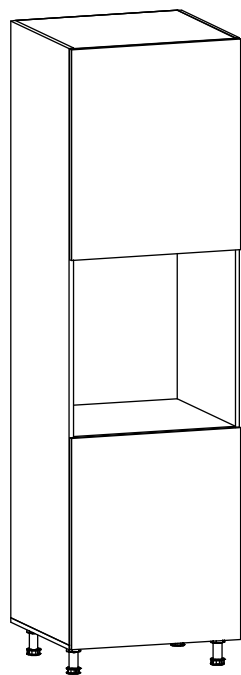
8

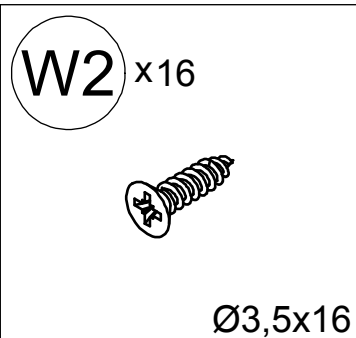
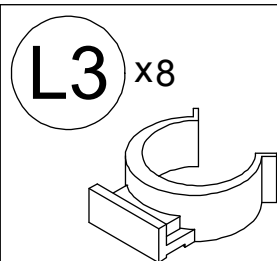
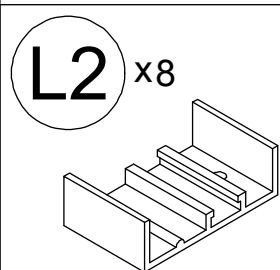
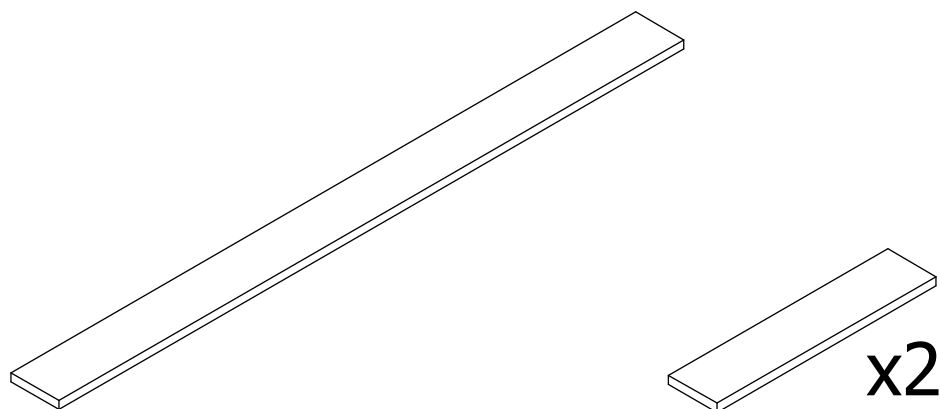
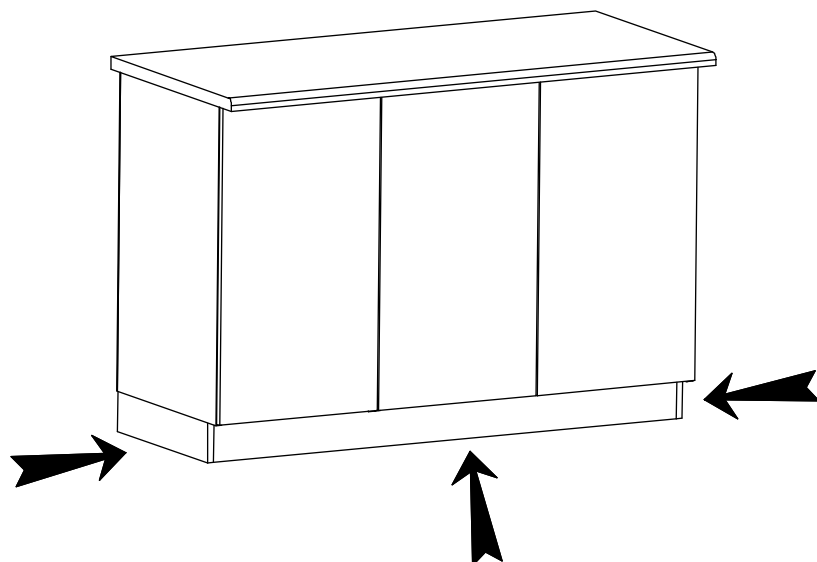


9

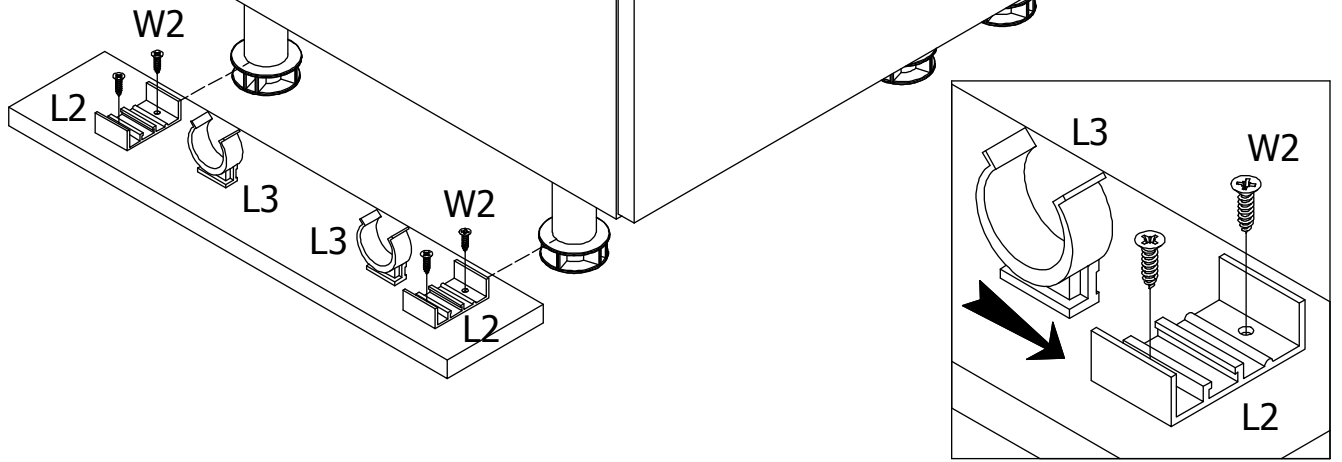


10





11



12

