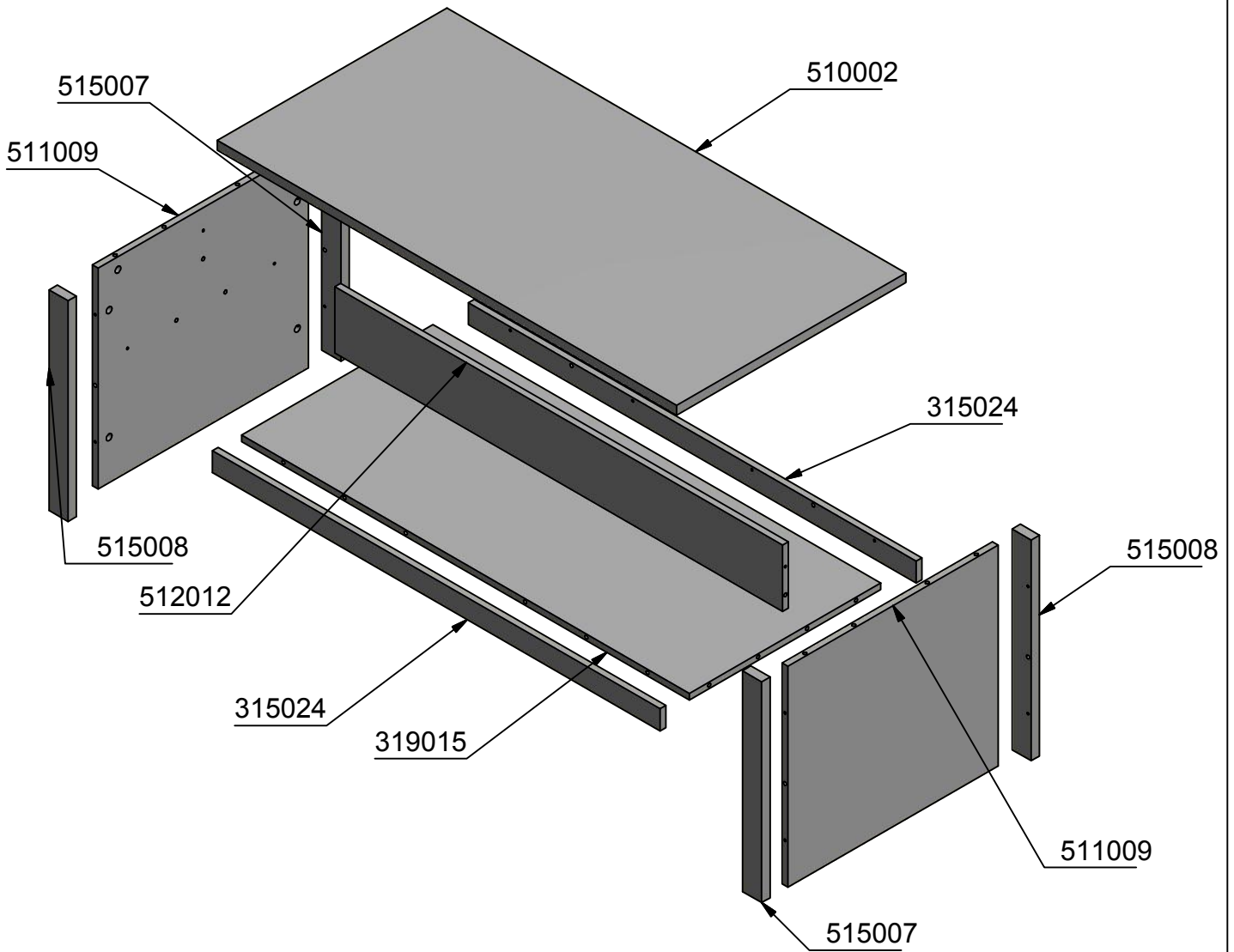
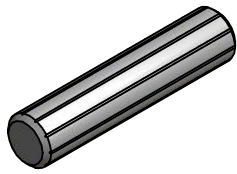


MONTANA ST

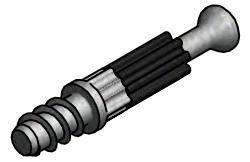


A x 18

(8x36)



B x 26

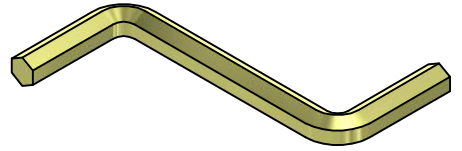


C x 26

(15x12)

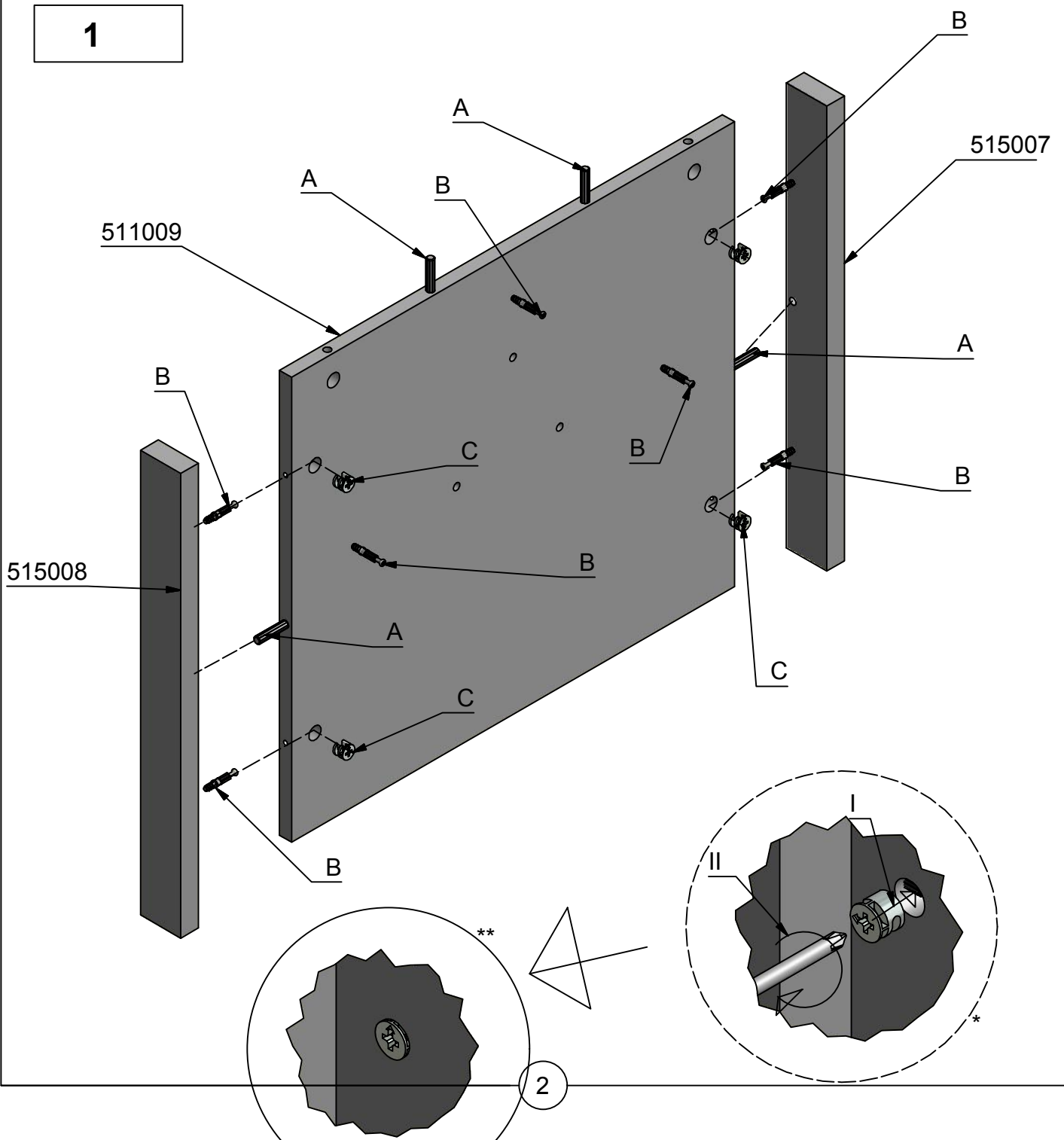


D



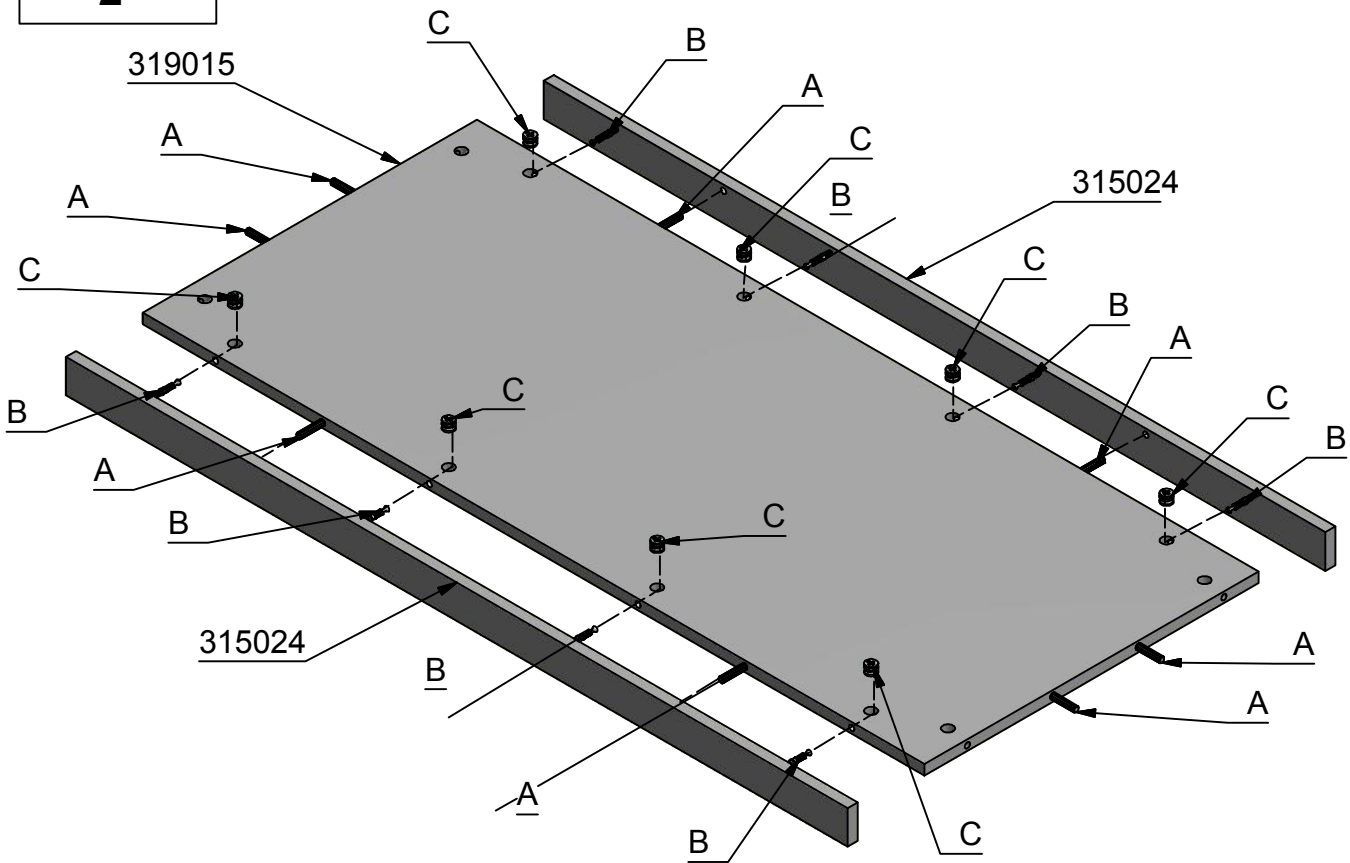
x 1

1

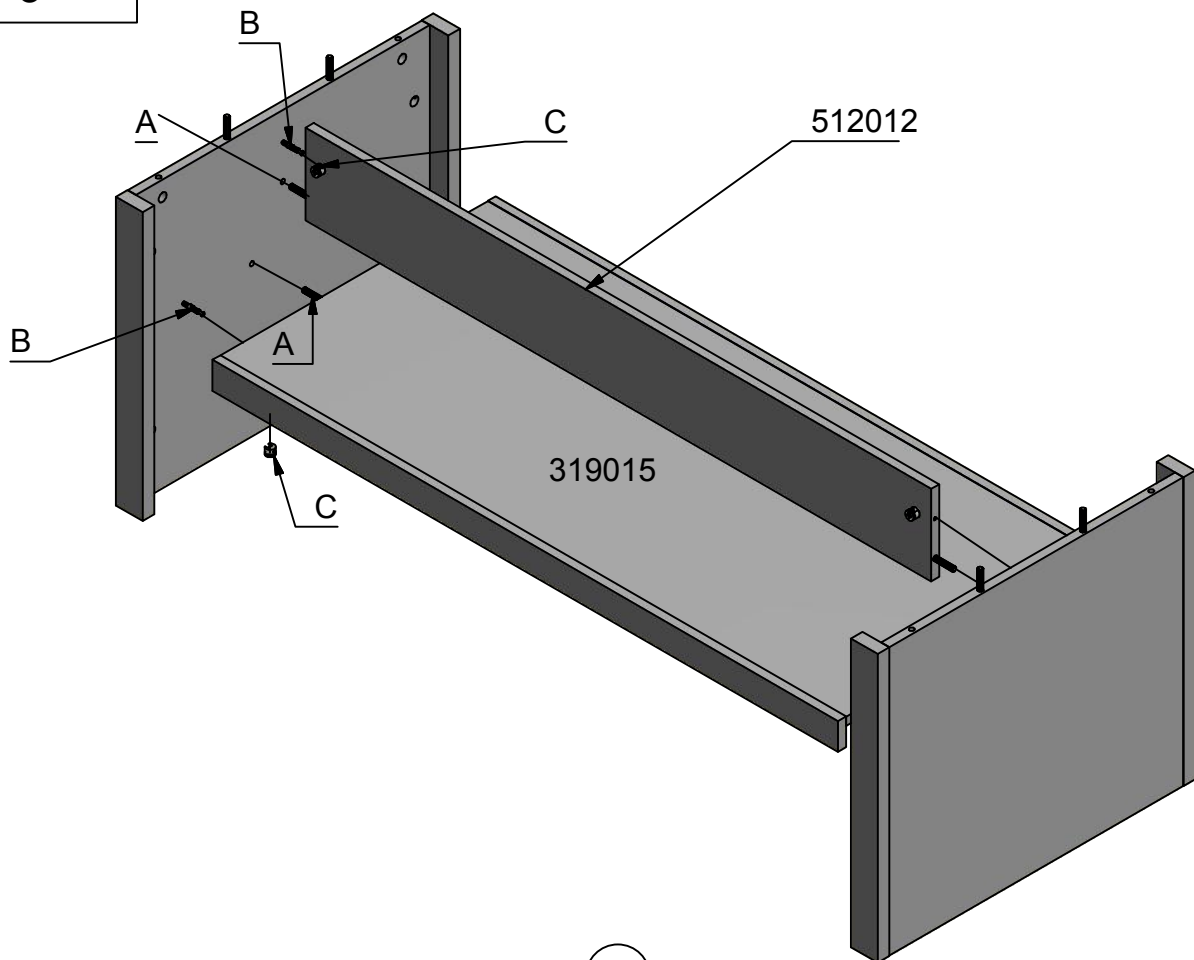


2

2



3



3

4

