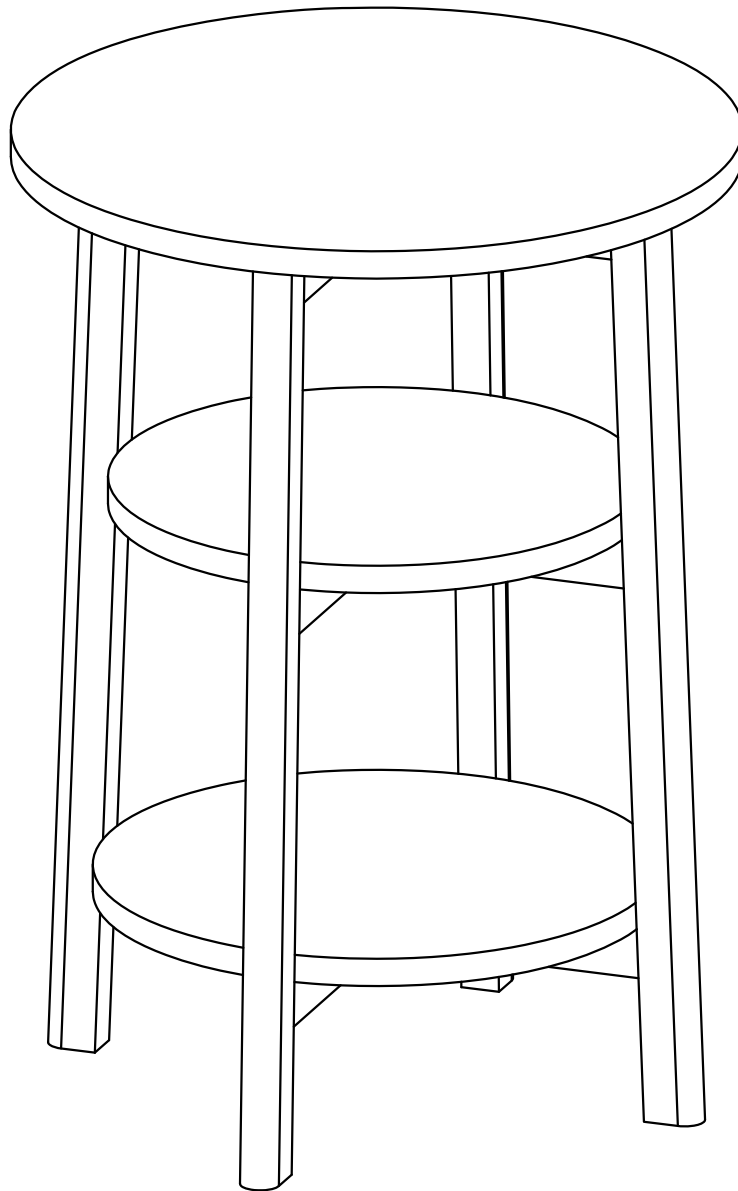


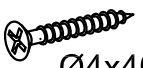

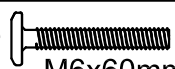

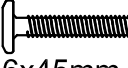



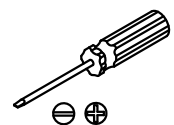
KASE A2016

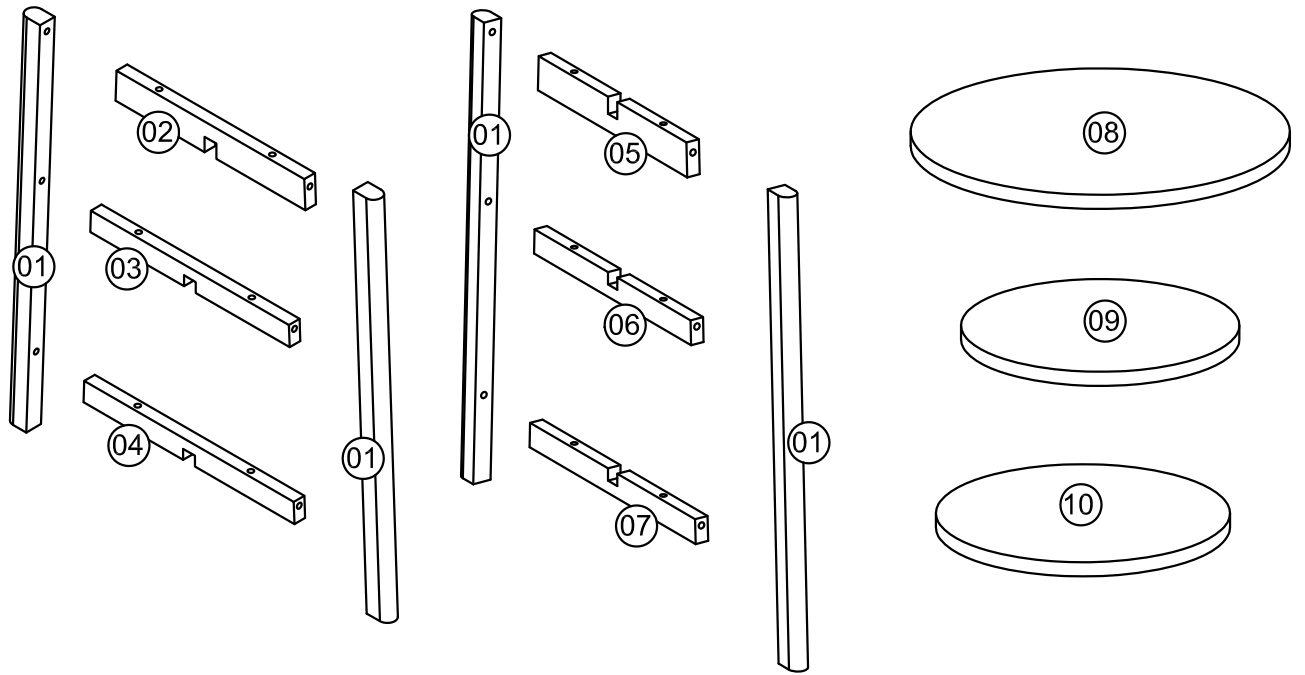
Ø455x625mm



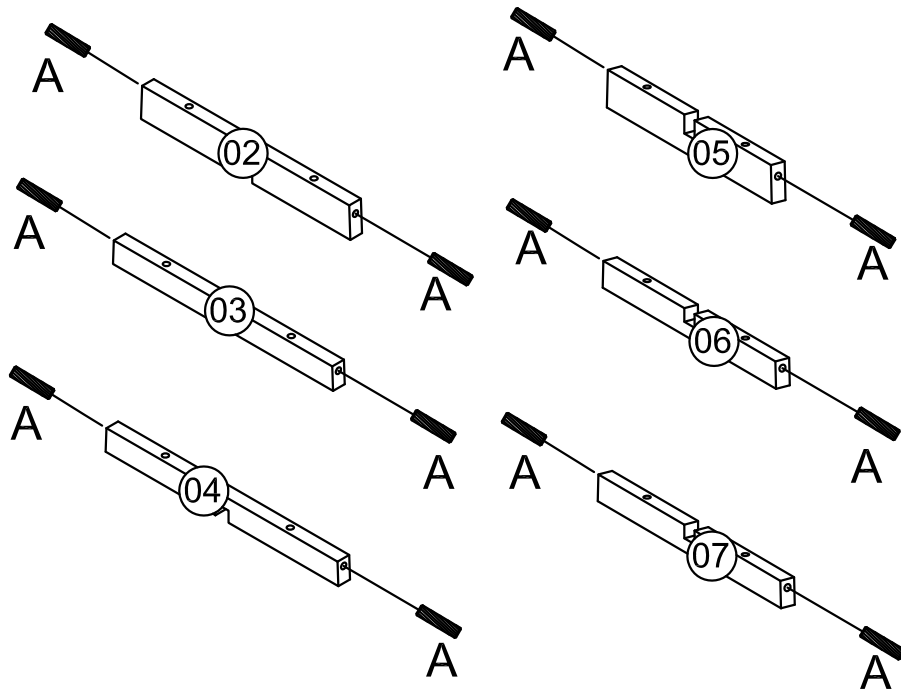
A	 Ø8x30mm	12
B	  Ø4x40mm	12
C	  M6x60mm	04


D	  M6x45mm	08
E	 Φ4mm	01



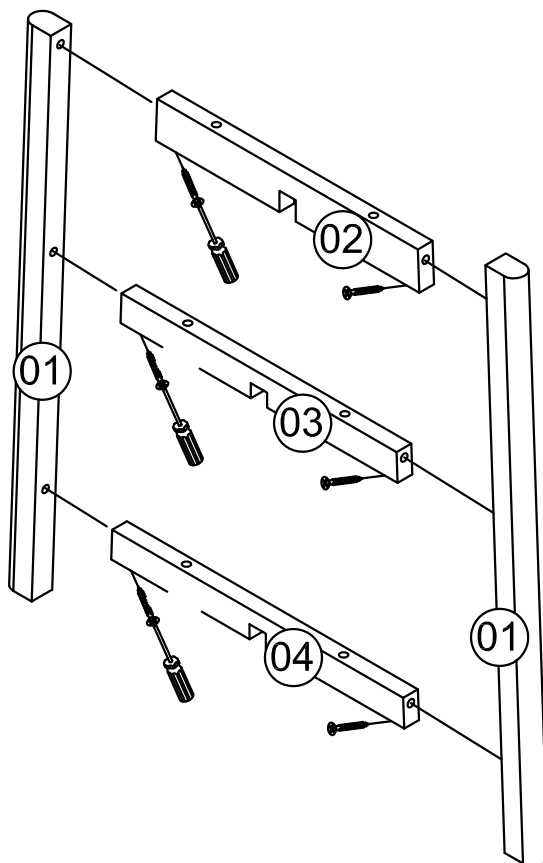



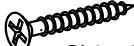
01



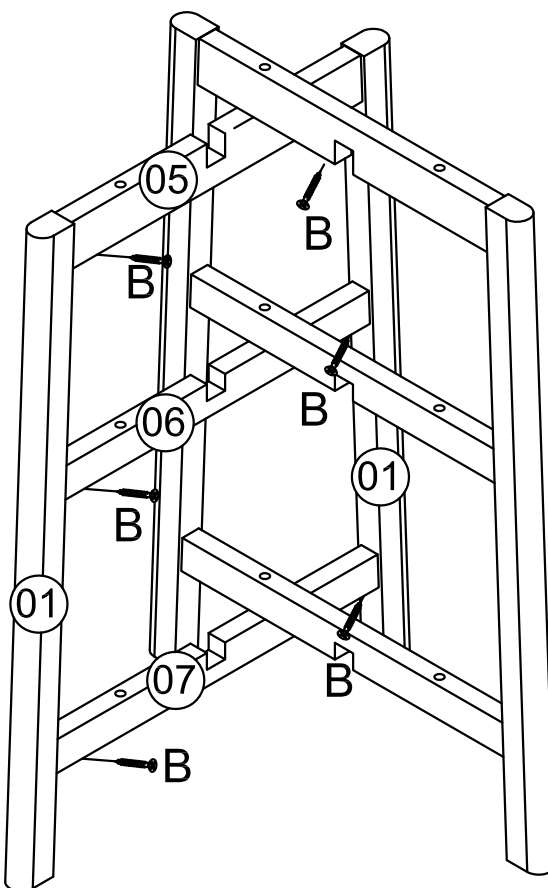
A	 $\Phi 8 \times 30 \text{mm}$	12
---	---	----


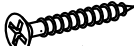
02



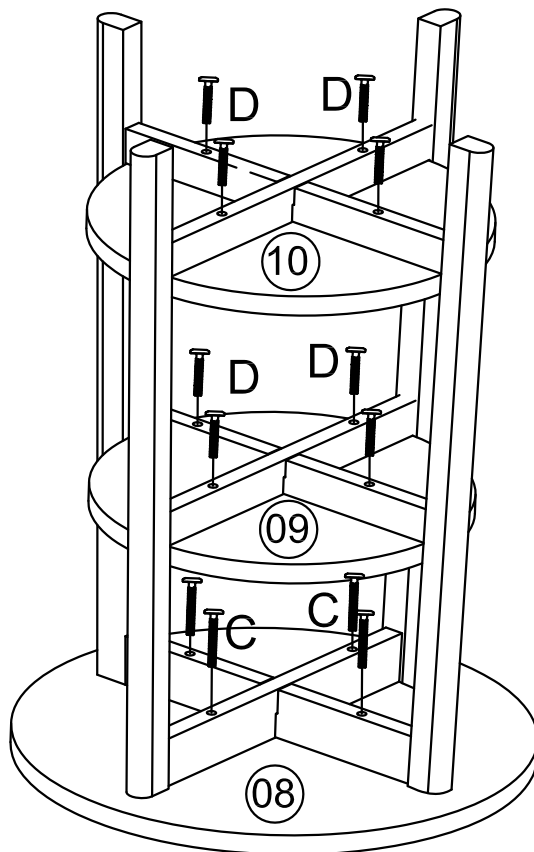
B		 Ø4x40mm	06
---	---	---	----



03



B		 Ø4x40mm	06
---	---	---	----

04



C	 M6x60mm	04
D	 M6x45mm	08

