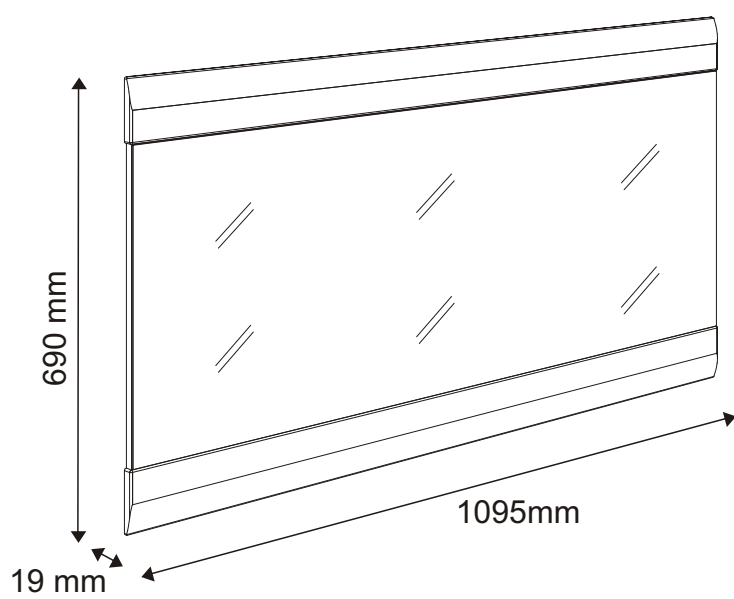
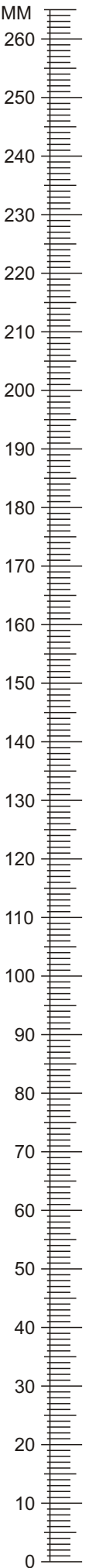


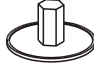


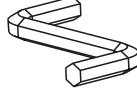

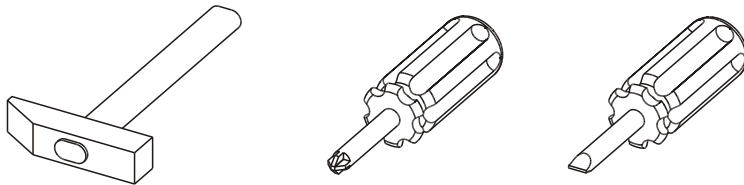
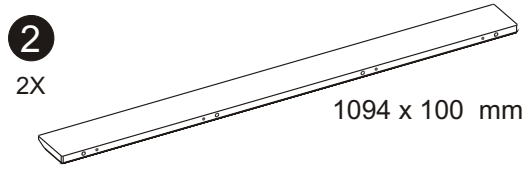
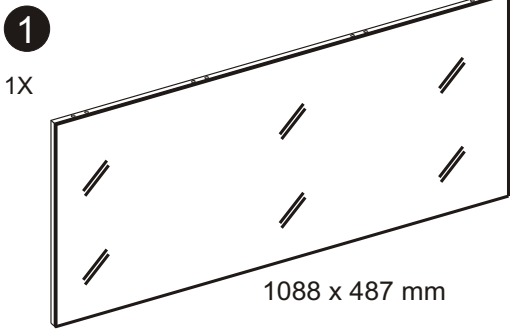


LYNATET 122

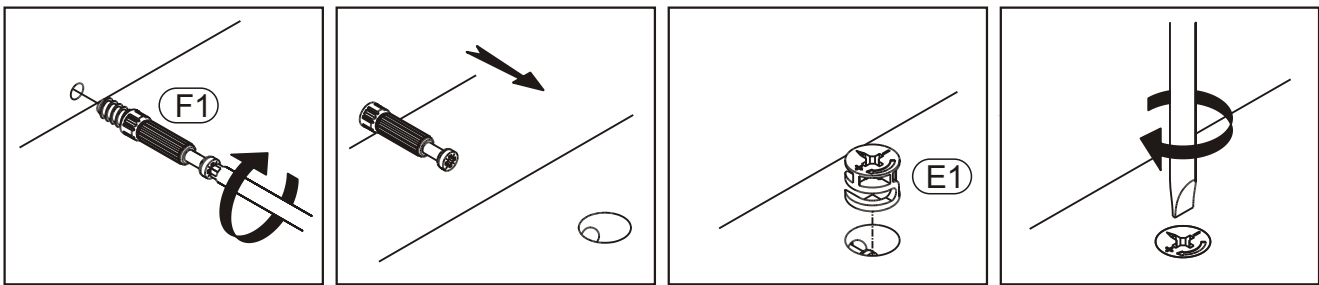




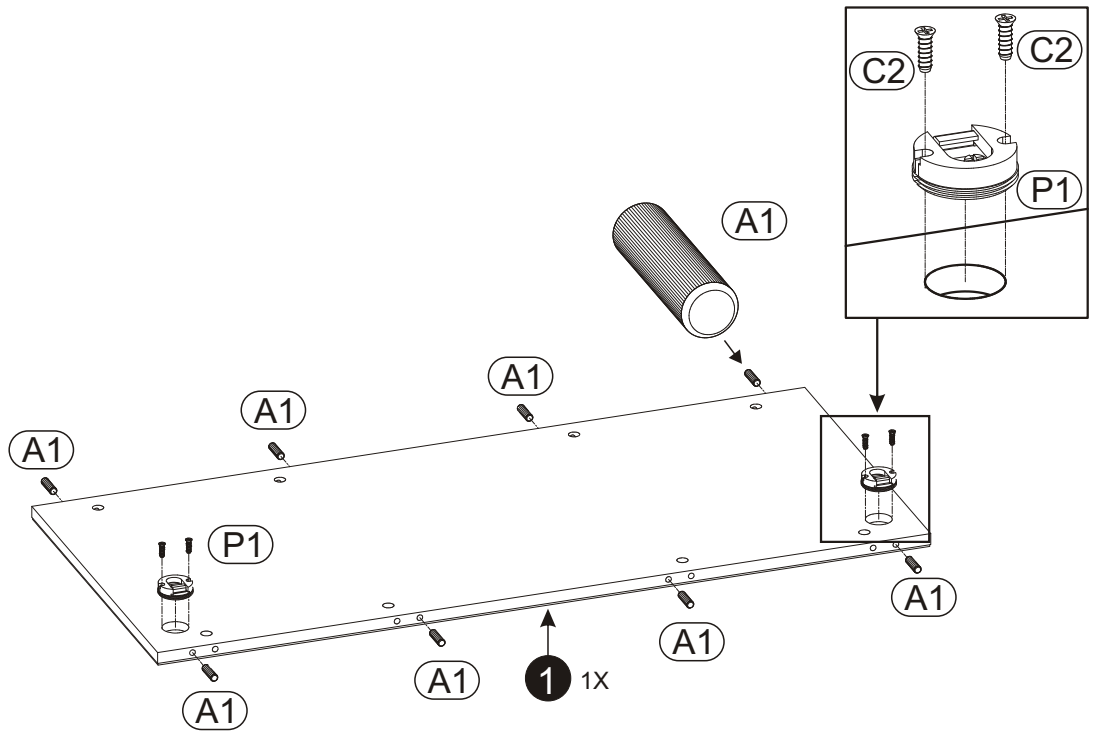
A1 8X $\varnothing 8 \times 35$ mm 	C2 4X EURO 5 x 13mm 	E0 8X 
E1 8X $\varnothing 15 \times 12$ mm 	F1 8X $\varnothing 6 \times 34$ mm 	M 1X 
P1 2X 		



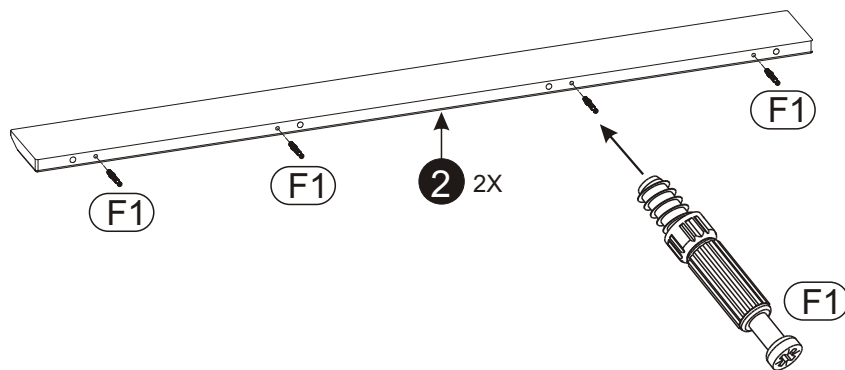
1: 2: 3: 4:



1 ▶



2 ▶



3 ▶

