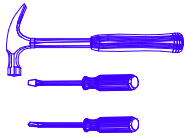
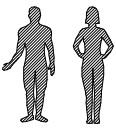
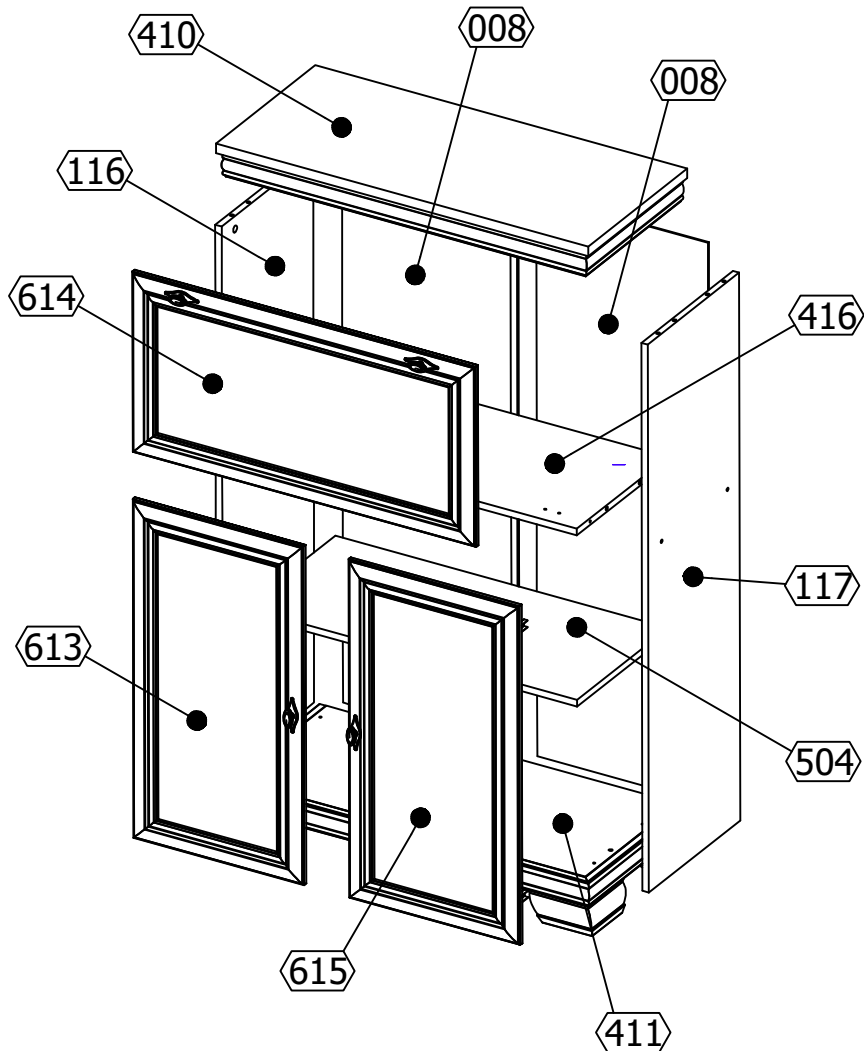
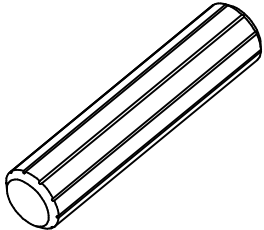
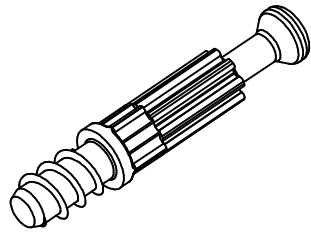
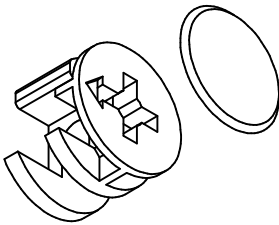
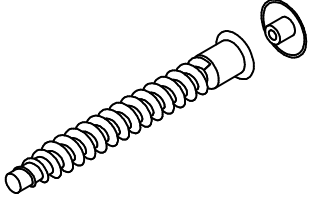
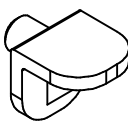
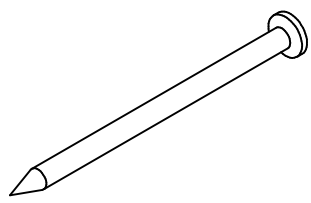


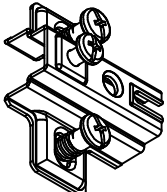
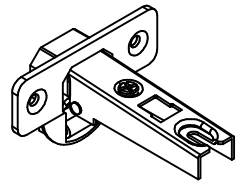
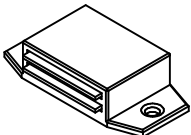
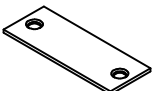
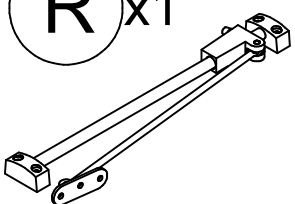
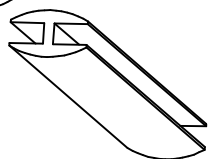
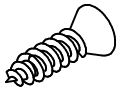
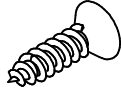
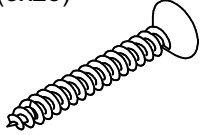
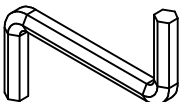


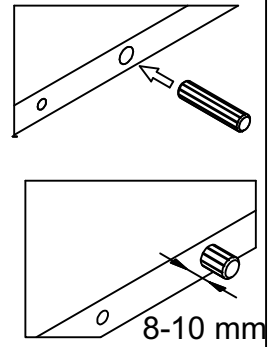
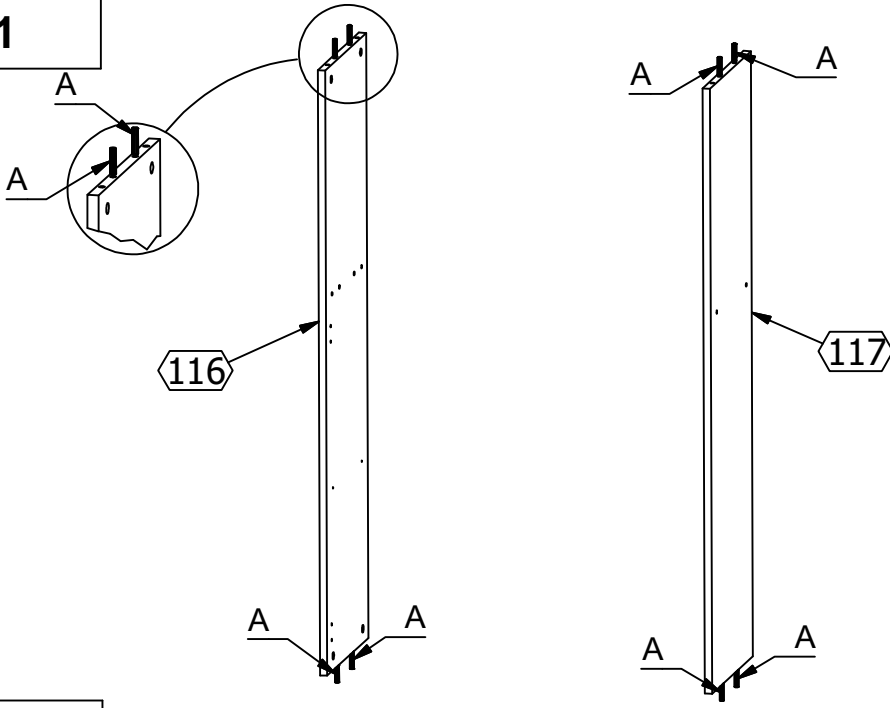
Kora KK5



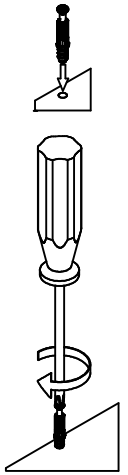
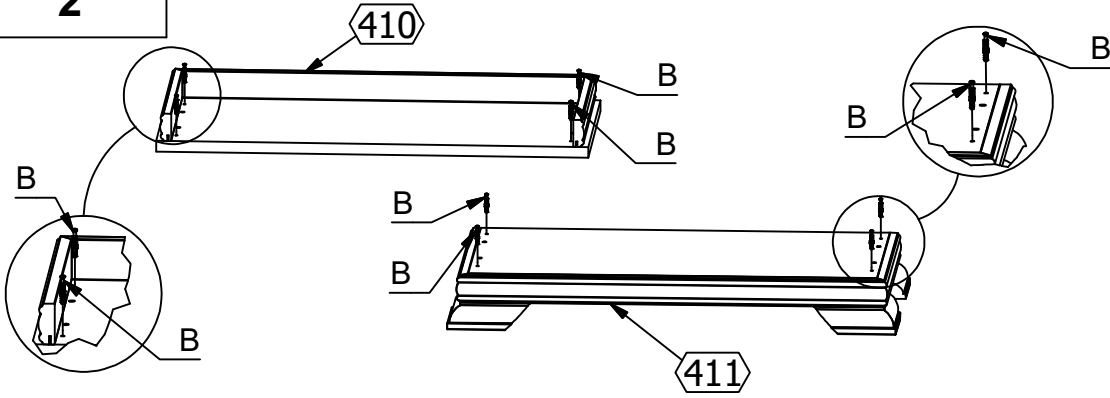
1	410	1	3
2	411	1	3
3	416	1	1
4	116	1	1
5	117	1	1
6	008	2	1
7	504	1	1
8	613	1	2
9	614	1	2
10	615	1	2

<p>A x12 (8x36)</p> 	<p>B x8</p> 		
<p>C x8 (Ø15x12)</p> 	<p>D x4</p> 		
<p>E x4</p> 	<p>G x80</p> 		
<p>M x4</p>  <p>+ X2 (M4x37)</p> 	<p>U x6</p>  <p>Uz</p>  <p>Uz1</p>		
<p>O x1</p>  <p>+ O1</p> 	<p>R x1</p> 	<p>H x1</p> 	
<p>W1 x5 (3,5x13)</p> 	<p>W2 x12 (3,5x16)</p> 	<p>W3 x4 (3x25)</p> 	<p>Z x1</p> 

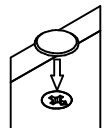
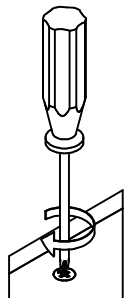
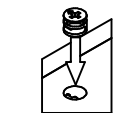
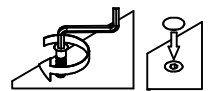
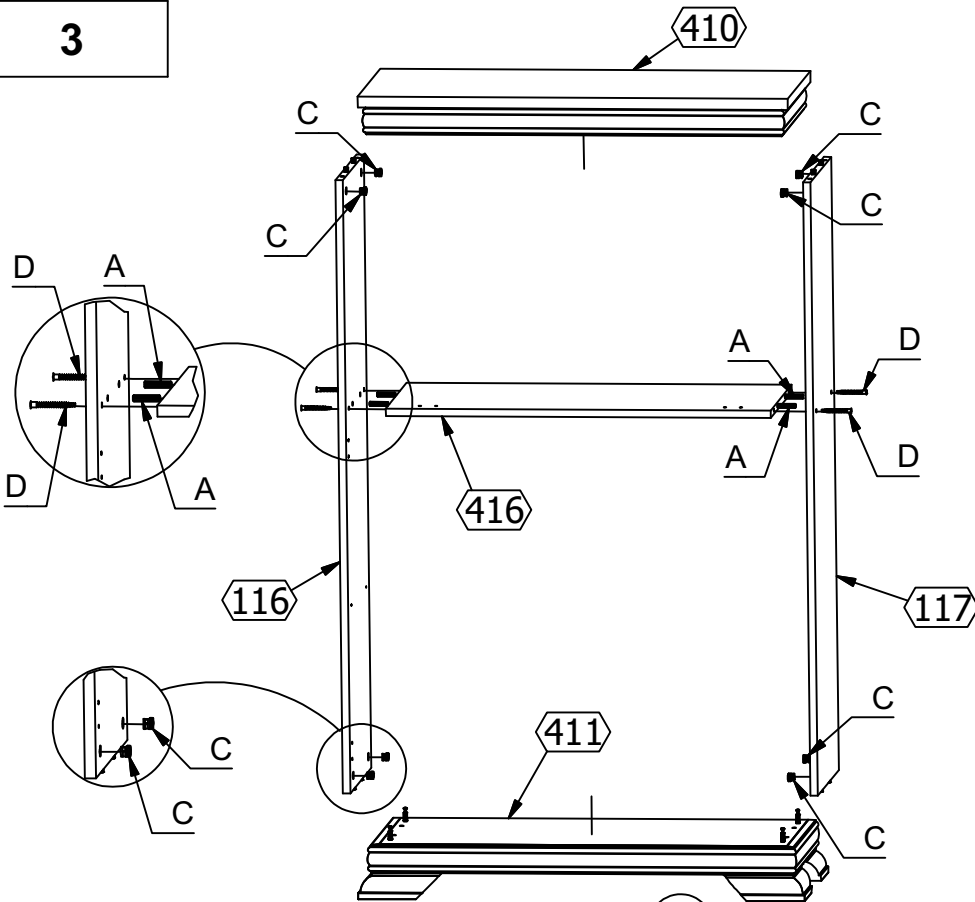
1



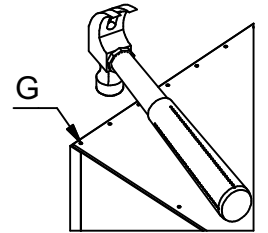
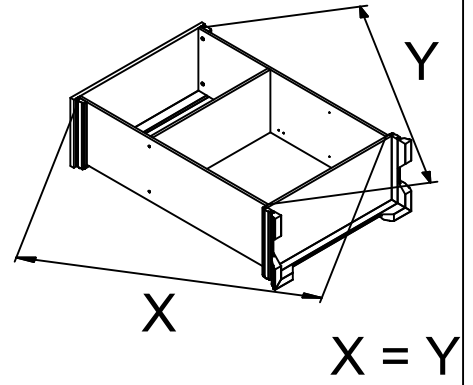
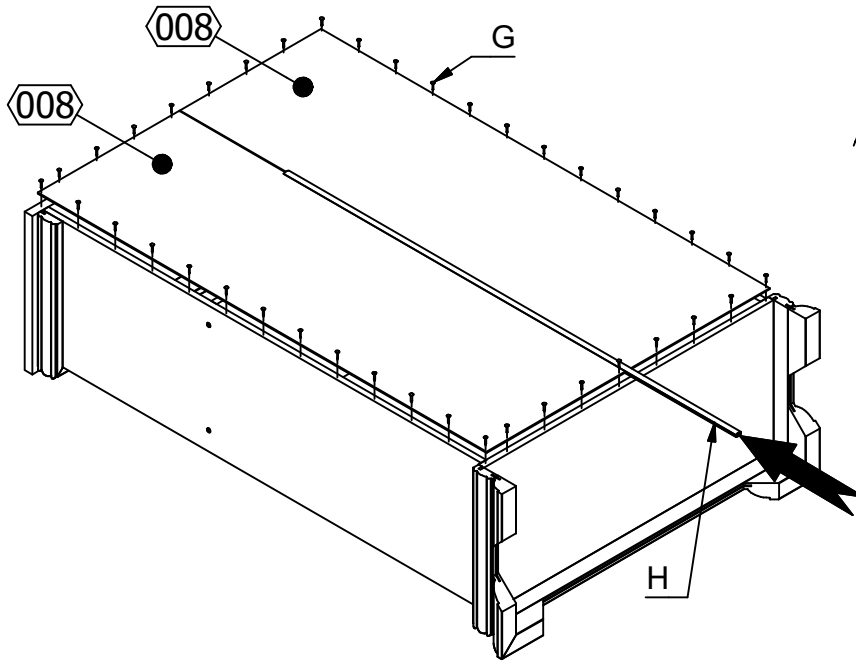
2



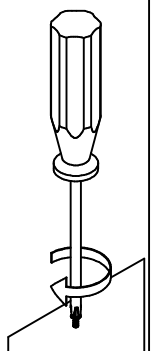
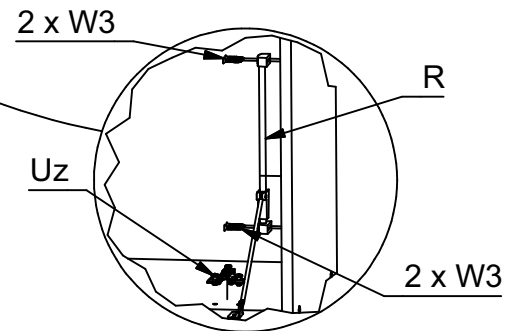
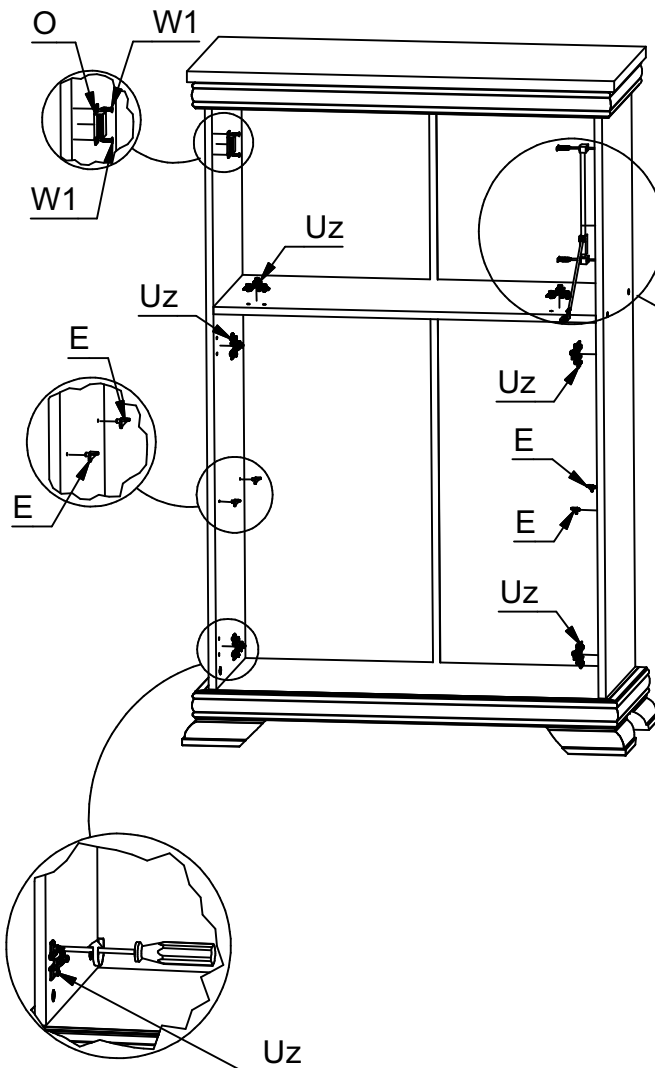
3



4

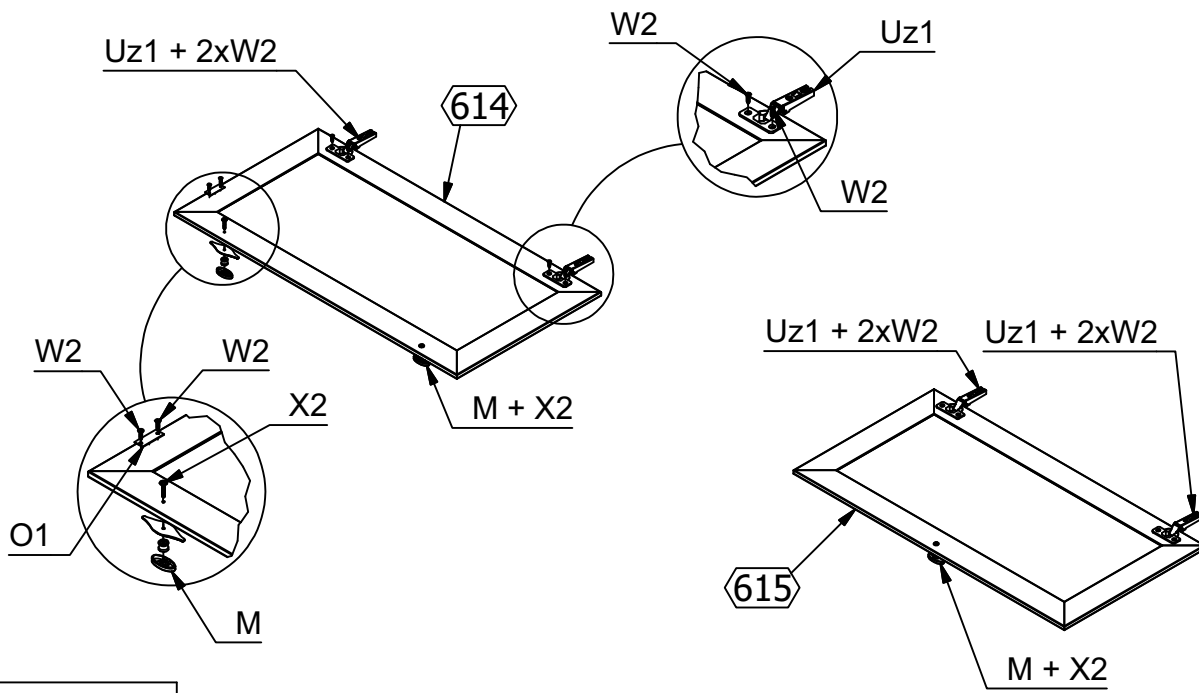


5



4

6



7

